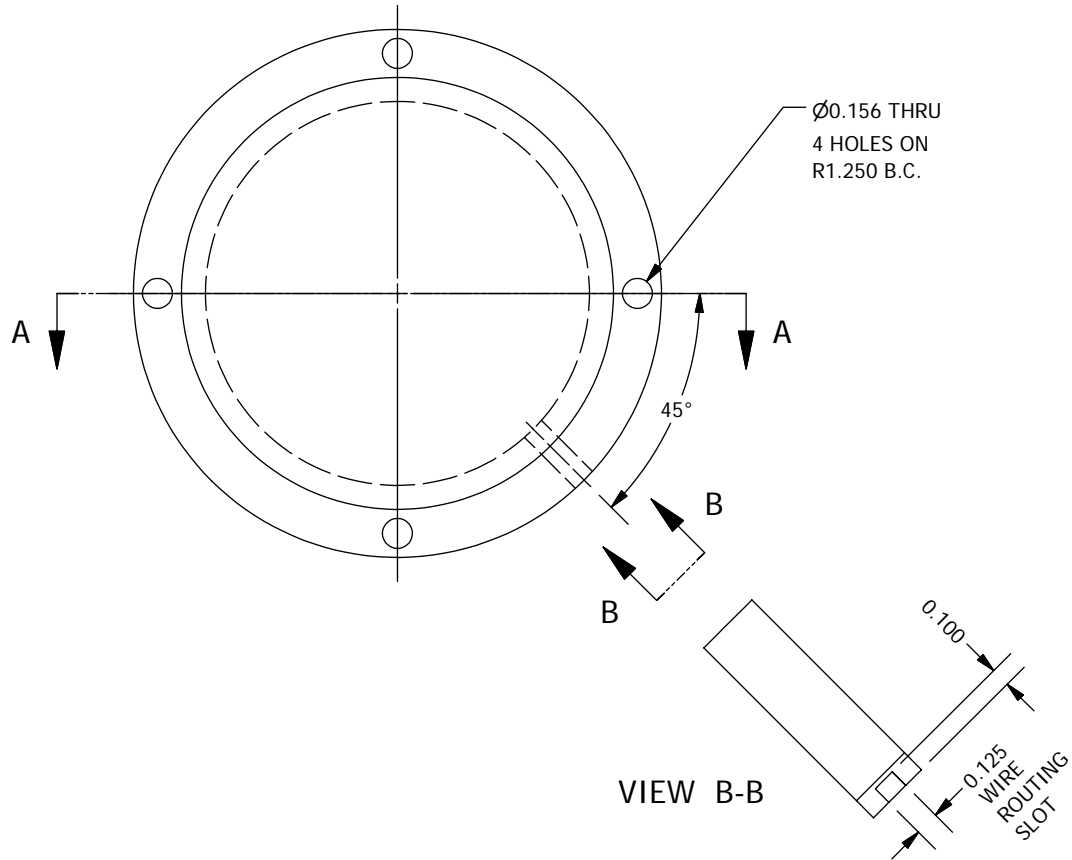


SECTION A-A



Notes:

1. Black anodize after machining
2. Design borrowed from Steve Gunnels; MIKE spectrograph drawing 00M15254

1	1	PFS100012
ITEM	QTY	DESCRIPTION
Bill of Material		
<b>THE OBSERVATORIES OF THE CARNEGIE INSTITUTION OF WASHINGTON</b> 813 Santa Barbara Street Pasadena, CA 91101		
MATERIAL	UNLESS OTHERWISE SPECIFIED FRACTIONAL      DECIMAL      ANGULAR +/- 1/32      .XX +/- 0.01      +/- 0.1 DEG	
EST WEIGHT	.XXX +/- 0.002 GOAL .XXX +/- 0.005 REQD BREAK SHARP EDGES    MACHINED SURFACES 125 $\sqrt{\hspace{1cm}}$ ALL DIMENSIONS IN INCHES	
SCALE	1:1 <b>P lanet F nder S pectrograph</b> Camera Focus Actuator Potentiometer Cover	
DWN	CRANE	2/15/2006
APVD		
	BY	DATE
SHEET	DRAWING NUMBER	SHT 1
A	PFS100012	OF 1
		REV