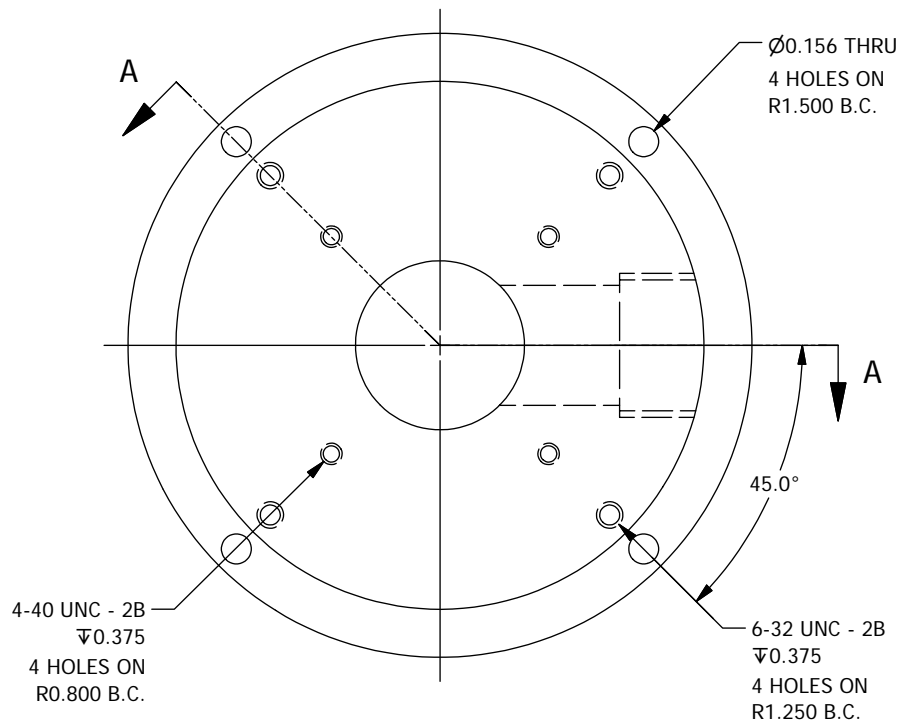


SECTION A-A
SCALE 1 : 1

Notes:

1. Black anodize after machining
2. Design borrowed from Steve Gunnels; MIKE spectrograph drawing 00M15253



1	1	PFS100011			
ITEM	QTY	DESCRIPTION			
Bill of Material					
THE OBSERVATORIES OF THE CARNEGIE INSTITUTION OF WASHINGTON 813 Santa Barbara Street Pasadena, CA 91101					
MATERIAL	UNLESS OTHERWISE SPECIFIED FRACTIONAL DECIMAL ANGULAR +/- 1/32 .XX +/- 0.01 +/- 0.1 DEG				
EST WEIGHT	.XXX +/- 0.002 GOAL .XXX +/- 0.005 REQD BREAK SHARP EDGES MACHINED SURFACES 125 ✓ ALL DIMENSIONS IN INCHES				
SCALE	1:1	P lanet F inder S pectrograph Camera Focus Actuator Potentiometer Block			
DWN	CRANE		2/15/2006		
APVD		SHEET	DRAWING NUMBER	SHT 1	REV
	BY	DATE	A	PFS10011	OF 1