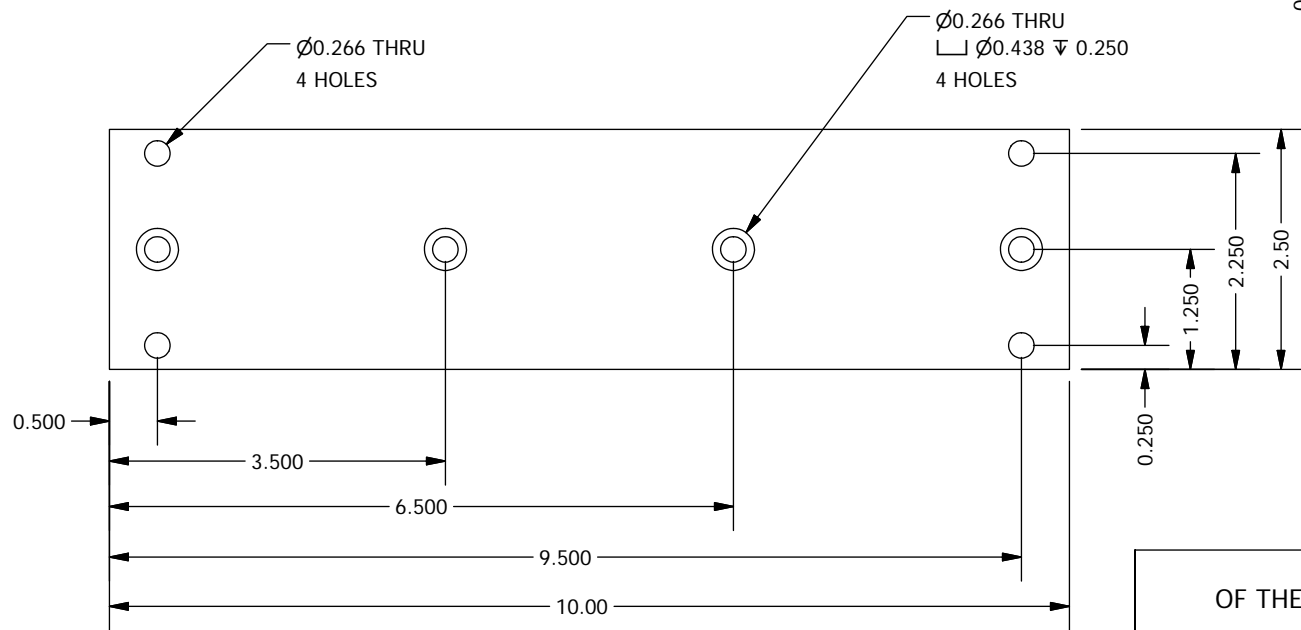
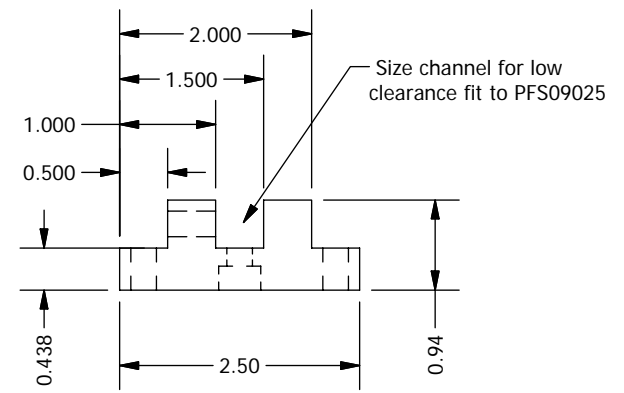
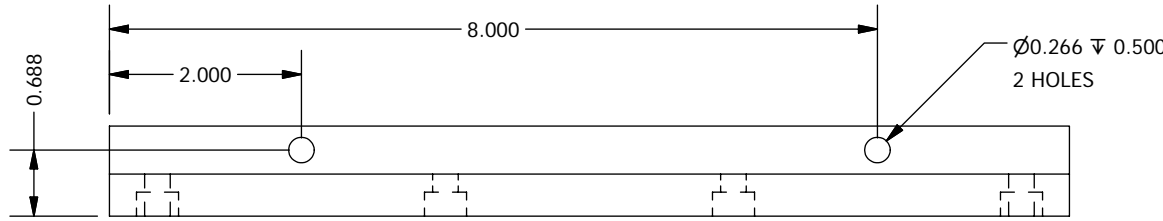


2

1



NOTES

- 1. Anodize black after test assembly

1	2	PFS09027
ITEM	QTY	DESCRIPTION
Bill of Material		

**THE OBSERVATORIES
OF THE CARNEGIE INSTITUTION OF WASHINGTON**
813 Santa Barbara Street
Pasadena, CA 91101

MATERIAL		UNLESS OTHERWISE SPECIFIED	
Aluminum-6061		FRACTIONAL	DECIMAL ANGULAR
		+/- 1/32	.XX +/- 0.01 +/- 0.1 DEG
EST WEIGHT		.XXX +/- 0.002 GOAL	
1.5 lb		.XXX +/- 0.005 REQD	
SCALE		BREAK SHARP EDGES MACHINED SURFACES 125°	
1:2		ALL DIMENSIONS IN INCHES	
		P lanet F inder S pectrograph	
		Camera Flexure Base	
DWN	CRANE	6/6/2006	
APVD			
BY		DATE	
SHEET	DRAWING NUMBER		SHT 1
A	PFS09027		OF 1
			REV 1

2

1