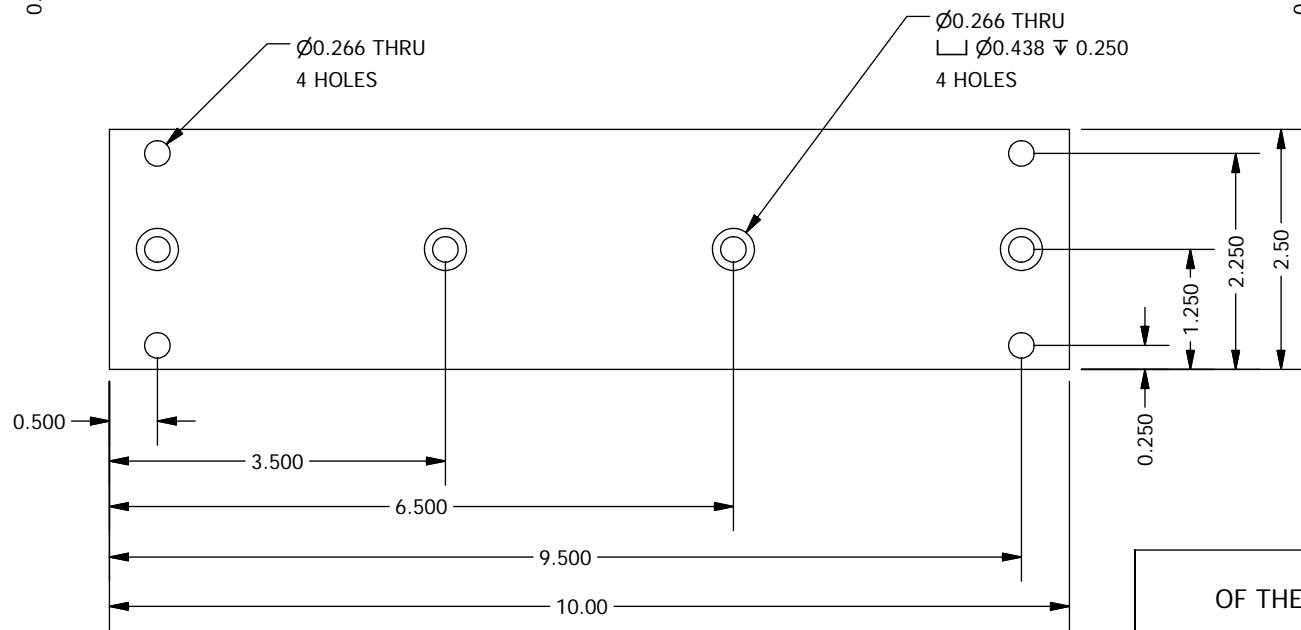
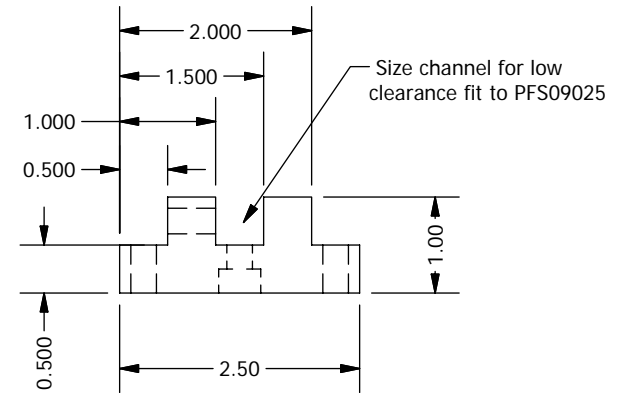
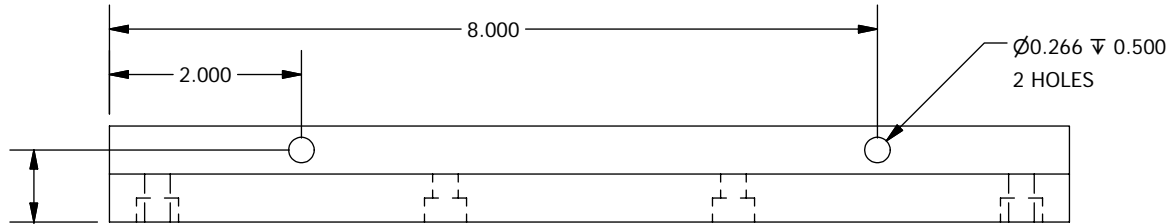


2

1



NOTES

- 1. Anodize black after test assembly

1	2	PFS09027
ITEM	QTY	DESCRIPTION
Bill of Material		

THE OBSERVATORIES  
OF THE CARNEGIE INSTITUTION OF WASHINGTON  
813 Santa Barbara Street  
Pasadena, CA 91101

MATERIAL		UNLESS OTHERWISE SPECIFIED		
Aluminum-6061		FRACTIONAL	DECIMAL	ANGULAR
		+/- 1/32	.XX +/- 0.01	+/- 0.1 DEG
EST WEIGHT		.XXX +/- 0.002 GOAL		
1.7 lb		.XXX +/- 0.005 REQD		
SCALE		BREAK SHARP EDGES MACHINED SURFACES 125		
1:2		ALL DIMENSIONS IN INCHES		
		P lanet F inder S pectrograph		Camera Flexure Base
DWN	CRANE	4/28/2006		
APVD				
BY		DATE		
SHEET	DRAWING NUMBER		SHT 1	REV
A	PFS09027		OF 1	

2

1