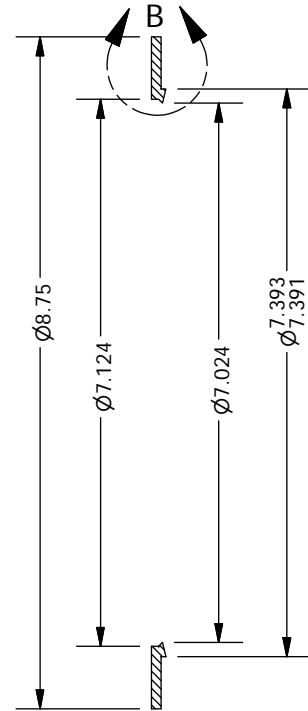
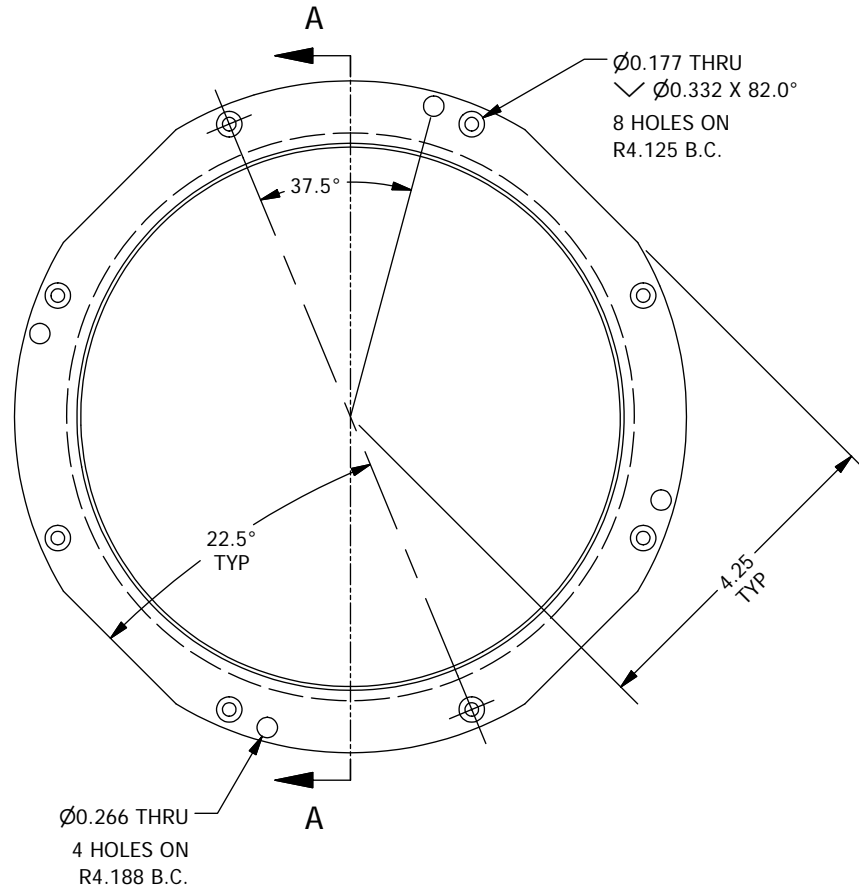


DETAIL B
SCALE 2 : 1



SECTION A-A
SCALE 0.40 : 1

NOTES

1. Anodize black after test fitting

ITEM	QTY	DESCRIPTION
1	1	PFS09017
Bill of Material		

THE OBSERVATORIES OF THE CARNEGIE INSTITUTION OF WASHINGTON 813 Santa Barbara Street Pasadena, CA 91101					
MATERIAL		Aluminum-6061 UNLESS OTHERWISE SPECIFIED FRACTIONAL DECIMAL ANGULAR +/- 1/32 .XX +/- 0.01 +/- 0.1 DEG			
EST WEIGHT		0.2 lb .XXX +/- 0.002 GOAL .XXX +/- 0.005 REQD BREAK SHARP EDGES MACHINED SURFACES 125 ALL DIMENSIONS IN INCHES			
SCALE		4:10		P lanet F nder S pectrograph PFS5 Axial Support Ring	
DWN	CRANE	4/25/2006	SHEET	DRAWING NUMBER	SHT 1
APVD			A	PFS09017	OF 1
	BY	DATE			REV
					1