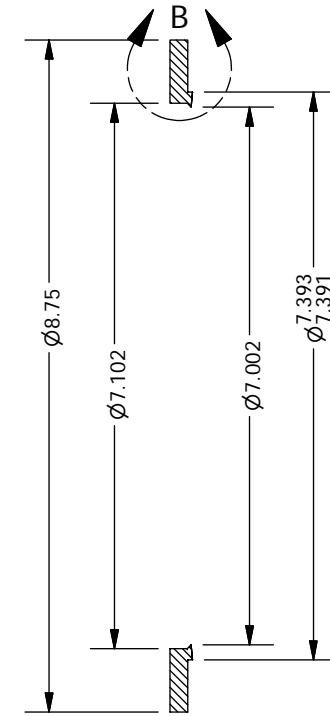
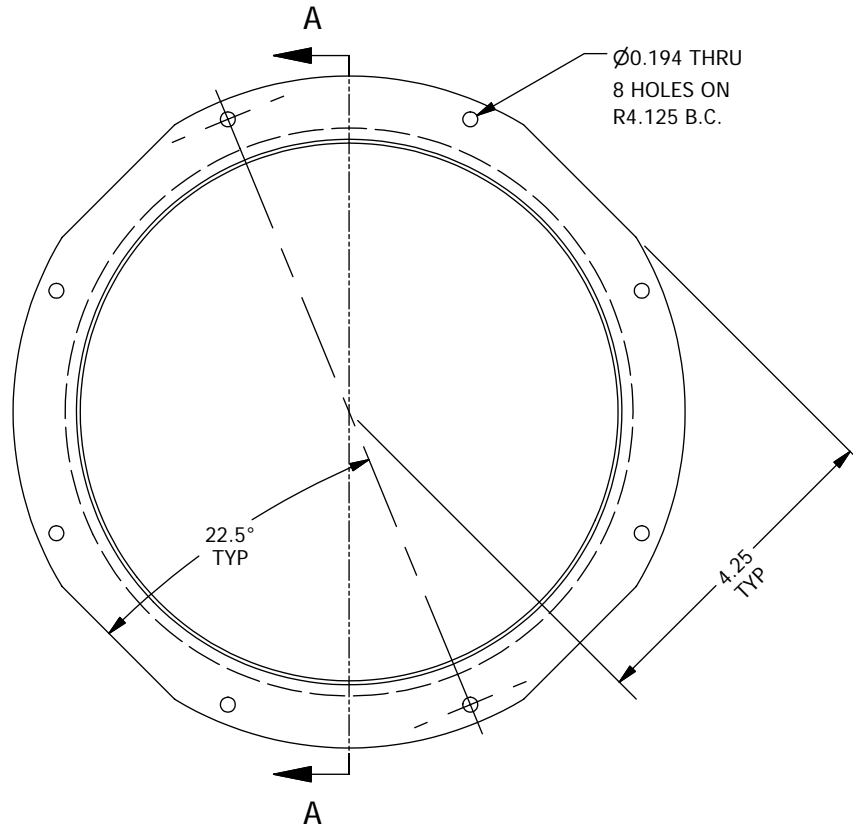


DETAIL B  
SCALE 2 : 1



SECTION A-A  
SCALE 0.40 : 1

**NOTES**

1. Anodize black after test fitting

1	1	PFS09016
ITEM	QTY	DESCRIPTION
Bill of Material		

<b>THE OBSERVATORIES OF THE CARNEGIE INSTITUTION OF WASHINGTON</b> 813 Santa Barbara Street Pasadena, CA 91101					
MATERIAL		UNLESS OTHERWISE SPECIFIED FRACTIONAL    DECIMAL    ANGULAR +/- 1/32    .XX +/- 0.01    +/- 0.1 DEG			
EST WEIGHT		.XXX +/- 0.002 GOAL .XXX +/- 0.005 REQD BREAK SHARP EDGES    MACHINED SURFACES 125 ✓ ALL DIMENSIONS IN INCHES			
SCALE		4:10		<b>P lanet F inder S pectrograph</b>	
				<b>PFS5 Axial Preload Ring</b>	
DWN	CRANE	4/25/2006	SHEET	DRAWING NUMBER	SHT 1
APVD			A	PFS09016	OF 1
	BY	DATE			REV
					1