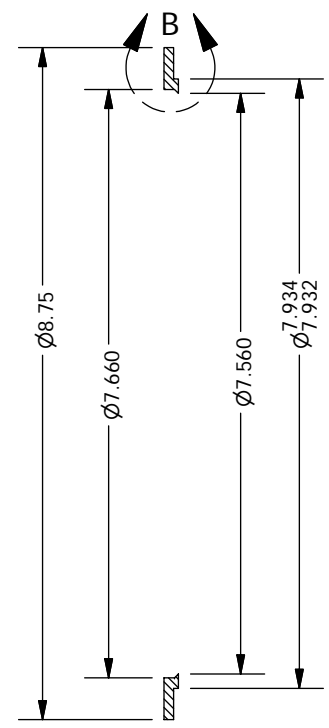
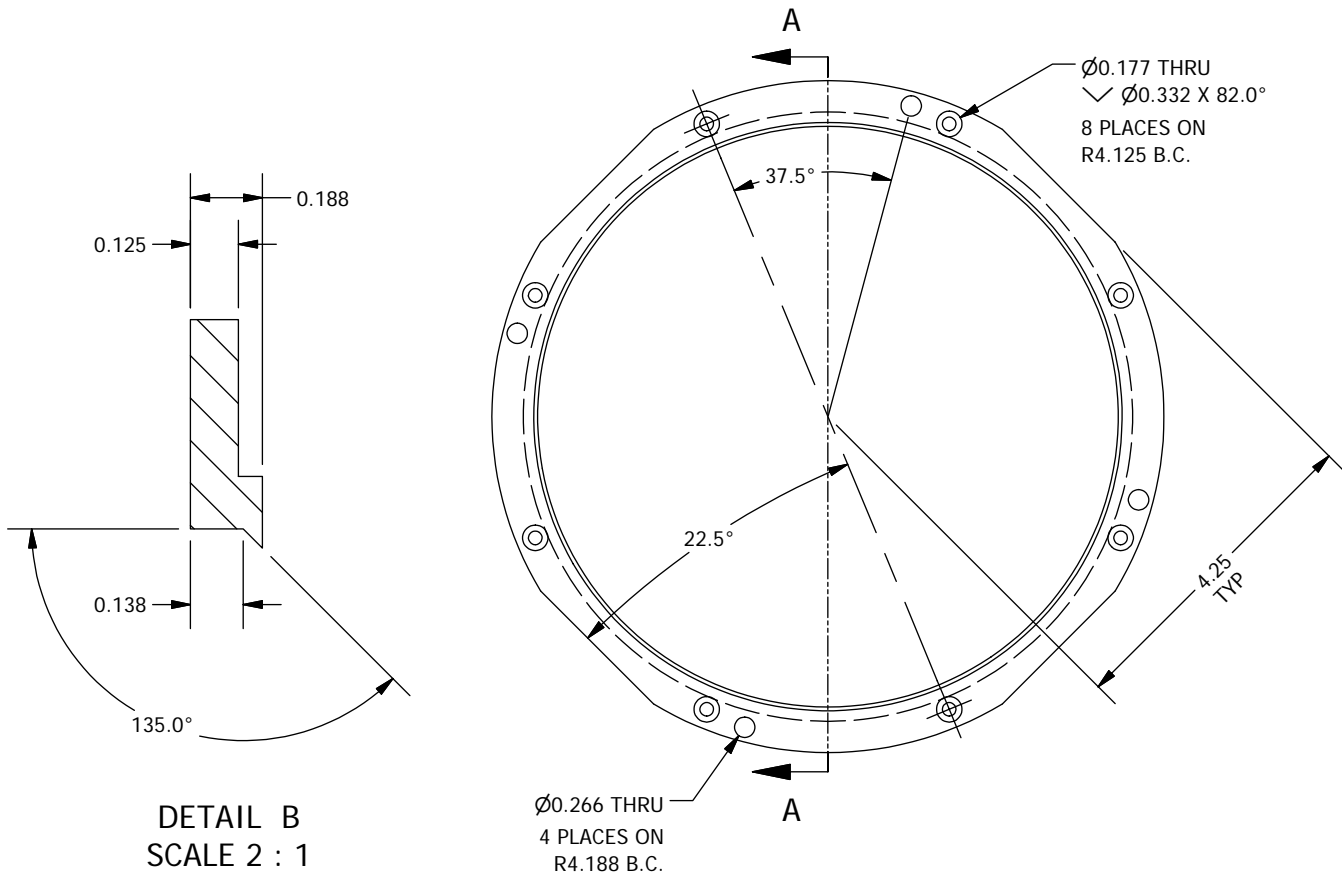


2

1



DETAIL B
SCALE 2 : 1

SECTION A-A
SCALE 0.40 : 1

NOTES

- 1. Anodize black after test fitting

ITEM	QTY	DESCRIPTION
1	1	PFS09013
Bill of Material		

THE OBSERVATORIES
OF THE CARNEGIE INSTITUTION OF WASHINGTON
 813 Santa Barbara Street
 Pasadena, CA 91101

MATERIAL	Aluminum-6061	UNLESS OTHERWISE SPECIFIED FRACTIONAL DECIMAL ANGULAR +/- 1/32 .XX +/- 0.01 +/- 0.1 DEG .XXX +/- 0.002 GOAL .XXX +/- 0.005 REQD BREAK SHARP EDGES MACHINED SURFACES 125 ALL DIMENSIONS IN INCHES
EST WEIGHT	0.2 lb	
SCALE	4:10	

P lanet	PFS1 Axial Support Ring
F inder	
S pectrograph	

DWN	CRANE	4/25/2006	SHEET	DRAWING NUMBER	SHT 1	REV
APVD			A	PFS09013	OF 1	1
	BY	DATE				

2

1