

2

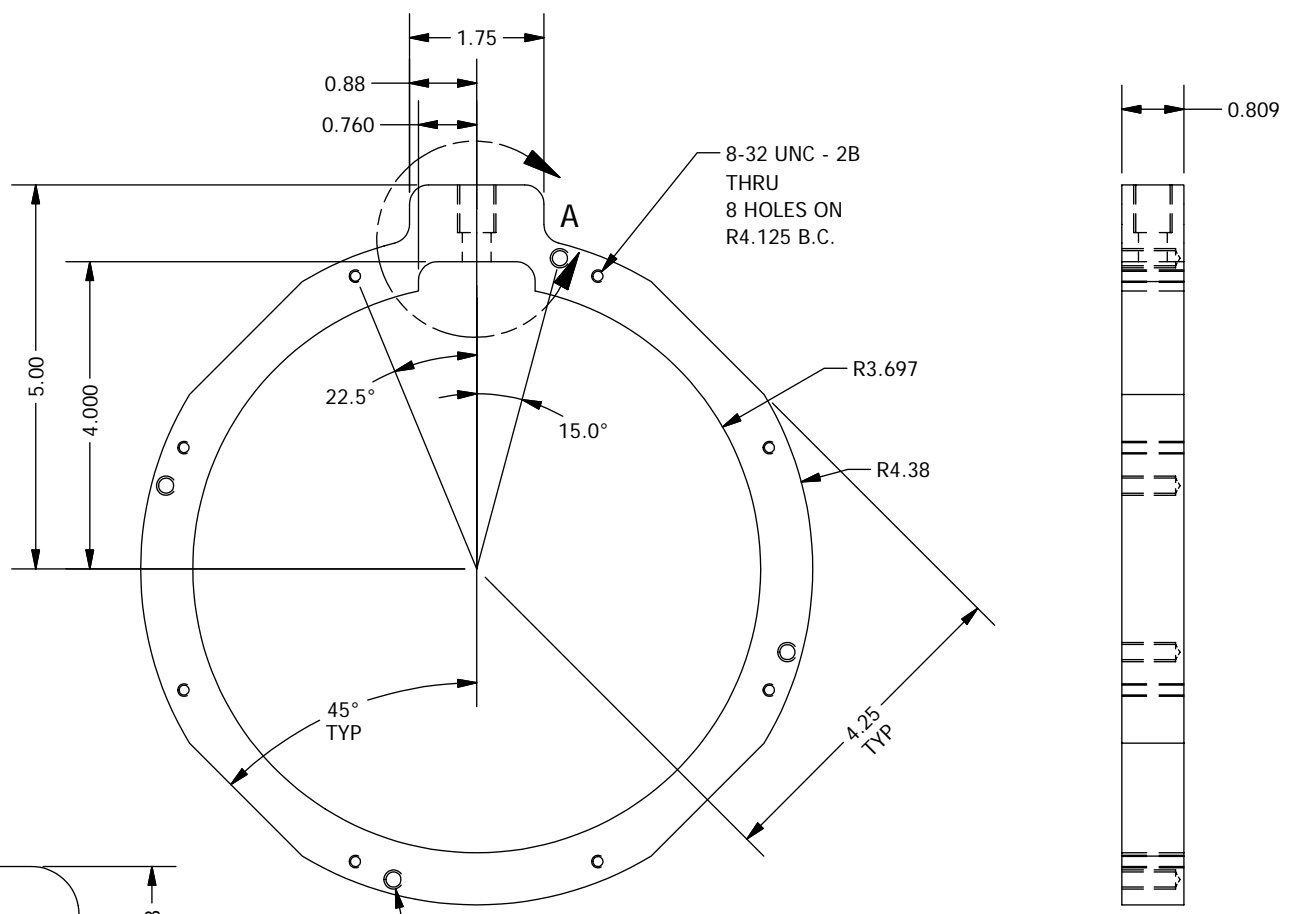
1

B

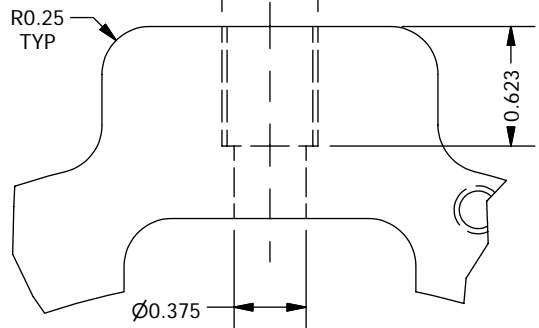
B

A

A



1/2-20 UNF - 2B
 MAXIMUM THREAD DEPTH
 USE BOTTOM TAP



DETAIL A
 SCALE 1 : 1

NOTES

1. Anodize black after test fitting

**THE OBSERVATORIES
 OF THE CARNEGIE INSTITUTION OF WASHINGTON**
 813 Santa Barbara Street
 Pasadena, CA 91101

MATERIAL	Aluminum-6061	UNLESS OTHERWISE SPECIFIED		
		FRACTIONAL	DECIMAL	ANGULAR
		+/- 1/32	.XX +/- 0.01	+/- 0.1 DEG
EST WEIGHT	1.3 lb	.XXX +/- 0.002 GOAL .XXX +/- 0.005 REQD		
		BREAK SHARP EDGES MACHINED SURFACES 125 ✓ ALL DIMENSIONS IN INCHES		

SCALE	4:10	P lanet F inder S pectrograph	PFS5 Inner Lens Support Tube
DWN	CRANE		

ITEM	QTY	DESCRIPTION
1	1	PFS09011
Bill of Material		

APVD	BY	DATE	SHEET	DRAWING NUMBER	SHT 1	REV
			A	PFS09011	OF 1	1

2

1

