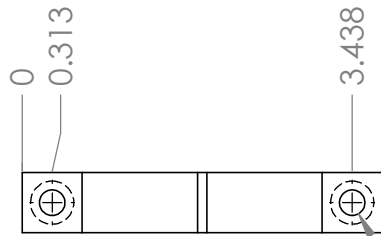
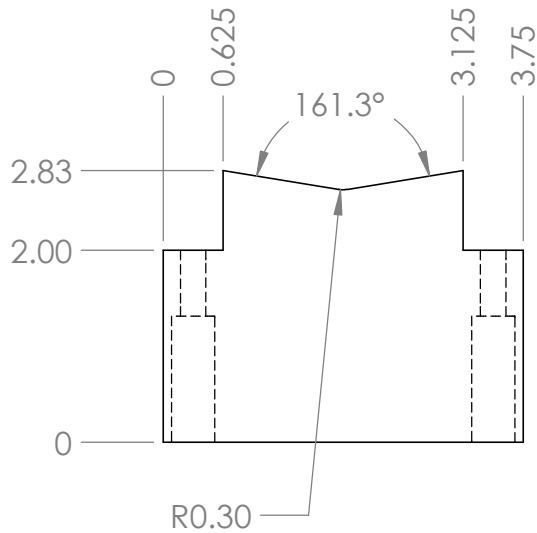
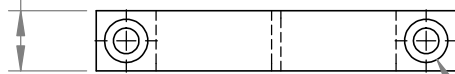
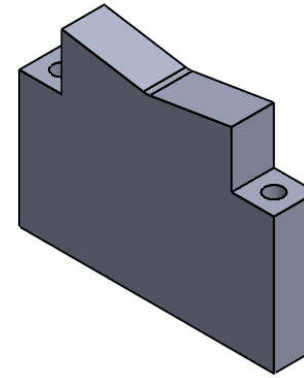


2

1

2X  $\phi$  0.266 THRU ALL

5/8"

2X  $\phi$  0.450  $\nabla$  1.314

ITEM	PART NUMBER	DESCRIPTION	QTY.
1	PFS08105	10k Dewar Support Block	1

THE OBSERVATORIES  
OF THE CARNEGIE INSTITUTION FOR SCIENCE  
813 Santa Barbara Street  
Pasadena, CA 91101

MATERIAL	Delrin	UNLESS OTHERWISE SPECIFIED FRACTIONAL DECIMAL ANGULAR $\pm 1/32$ .XX $\pm 0.01$ $\pm 0.1$ DEG		
EST WEIGHT	0.272	.XXX $\pm 0.002$ GOAL .XXX $\pm 0.005$ REQD BREAK SHARP EDGES. MACHINED SURFACES $\checkmark$ 125/ ALL DIMENSIONS IN INCHES		
SCALE	1:2	Planet Finder Spectrograph	10k Dewar Support Block	
DRWN	CRANE	5/24/2017	SHEET A	DRAWING PFS08105
APVD				SHT 1 OF 1
				REV

D:\PFS\Solidworks\CCD mount\10kDewarSupportBlock

2

1