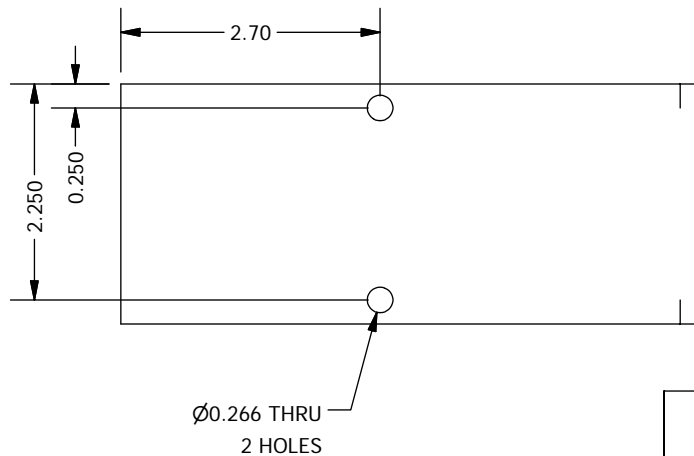
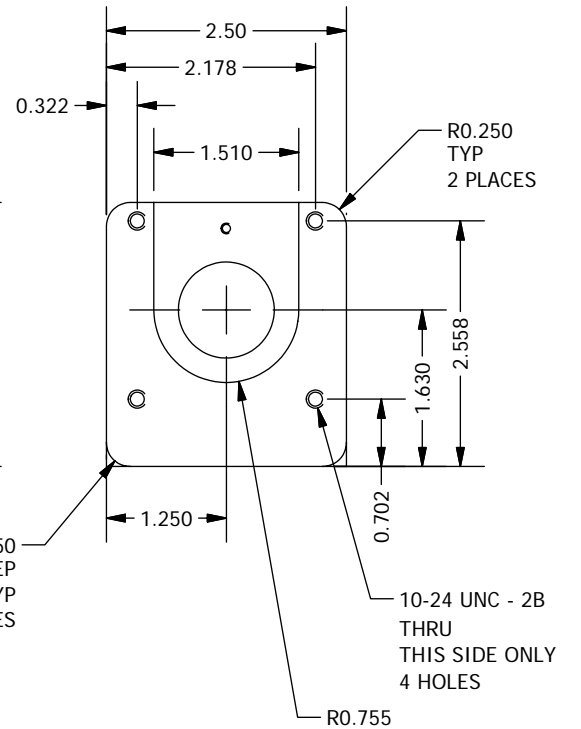
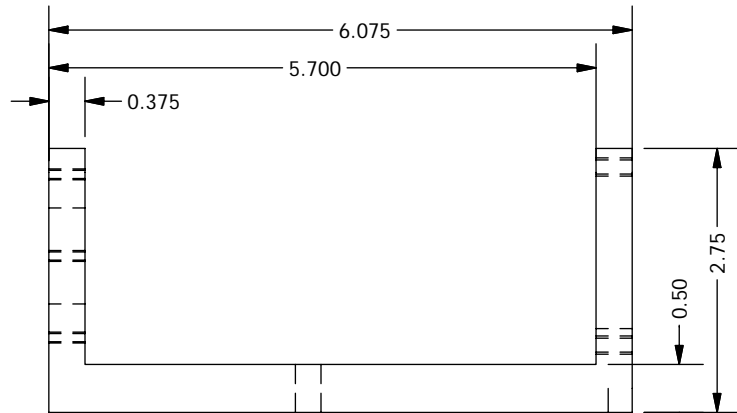
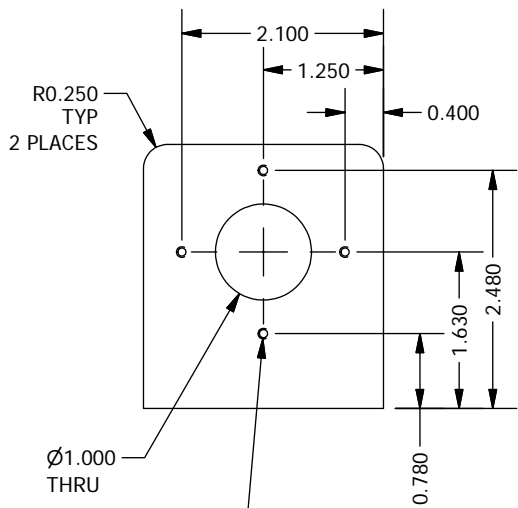


2

1



B

B

A

A

NOTES

1. Anodize black

1	1	PFS07002
ITEM	QTY	DESCRIPTION
Bill of Material		

THE OBSERVATORIES OF THE CARNEGIE INSTITUTION OF WASHINGTON 813 Santa Barbara Street Pasadena, CA 91101					
MATERIAL		UNLESS OTHERWISE SPECIFIED			
Aluminum-6061		FRACTIONAL	DECIMAL	ANGULAR	
		+/- 1/32	.XX +/- 0.01	+/- 0.1 DEG	
EST WEIGHT		.XXX +/- 0.002 GOAL			
1.0 lb		.XXX +/- 0.005 REQD			
SCALE		BREAK SHARP EDGES		MACHINED SURFACES 125°	
1:2		ALL DIMENSIONS IN INCHES		P lanet F inder S pectrograph Hartmann Mask Motor Mount	
DWN	CRANE	5/10/2007			
APVD		SHEET	DRAWING NUMBER		SHT 1
	BY	DATE	A		OF 1
			PFS07002		REV 1

2

1