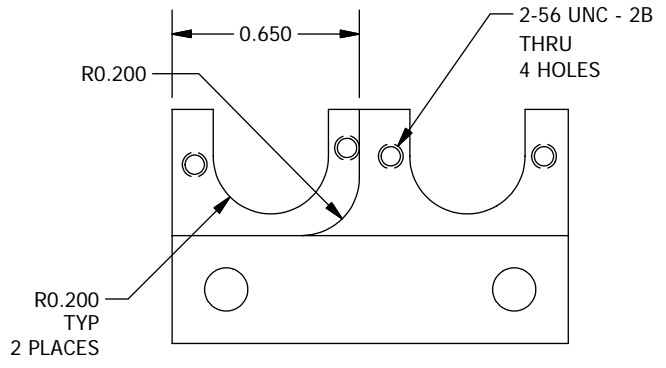
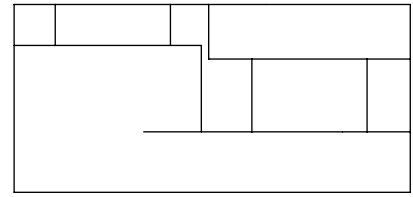
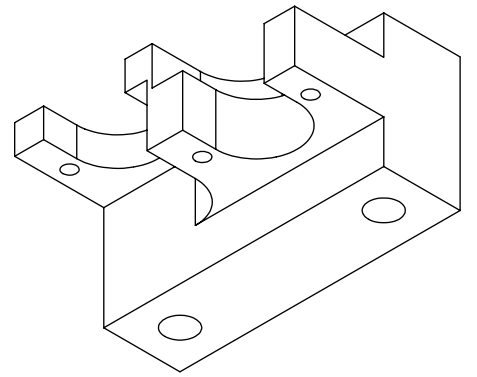
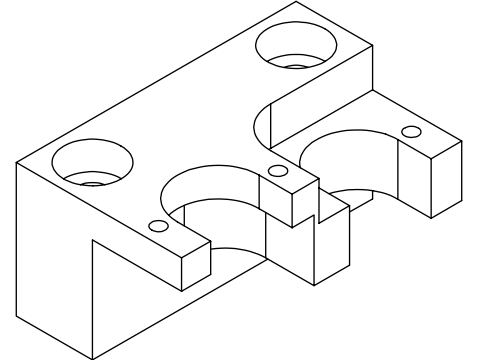
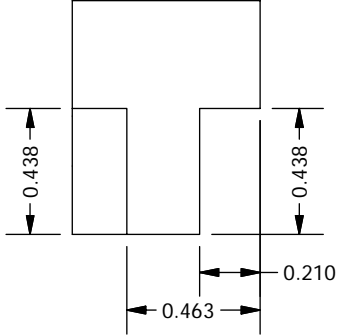
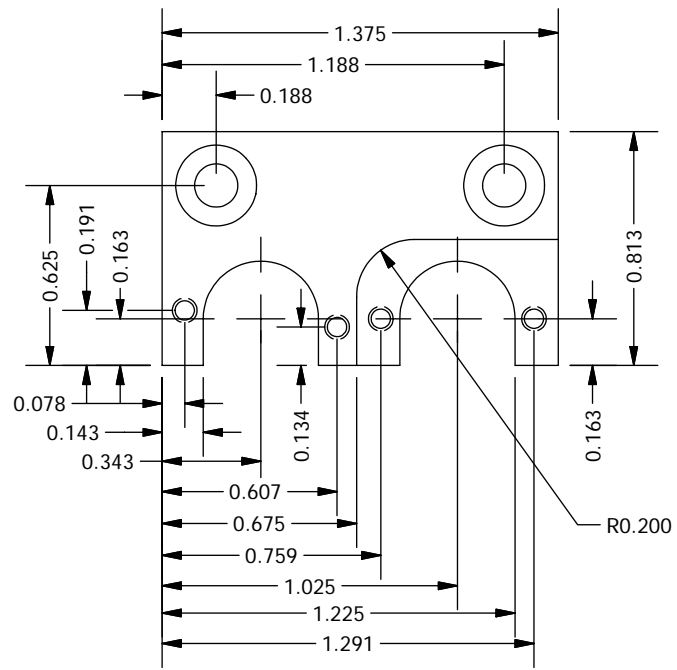
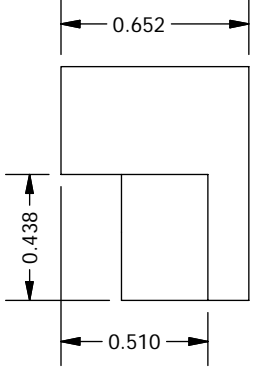


2

1



NOTES

1. Anodize black

1	1	PFS06023
ITEM	QTY	DESCRIPTION
Bill of Material		
THE OBSERVATORIES OF THE CARNEGIE INSTITUTION OF WASHINGTON 813 Santa Barbara Street Pasadena, CA 91101		
MATERIAL	UNLESS OTHERWISE SPECIFIED FRACTIONAL DECIMAL ANGULAR +/- 1/32 .XX +/- 0.01 +/- 0.1 DEG .XXX +/- 0.002 GOAL .XXX +/- 0.005 REQD BREAK SHARP EDGES MACHINED SURFACES 125 ✓ ALL DIMENSIONS IN INCHES	
EST WEIGHT	0.7 oz	
SCALE	3:2	
P lanet F inder S pectrograph		Double Daco Shutter Mount - Modified
DWN	CRANE	1/11/2010
APVD		
	BY	DATE
SHEET	DRAWING NUMBER	SHT 1 OF 1
A	PFS06023	REV 1

2

1