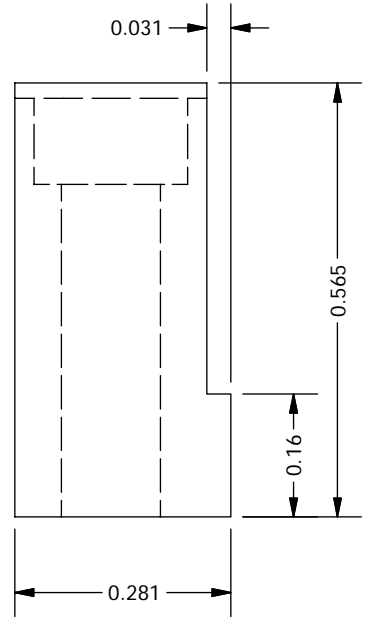
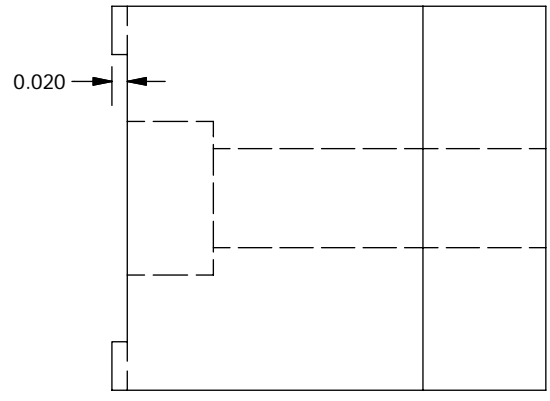
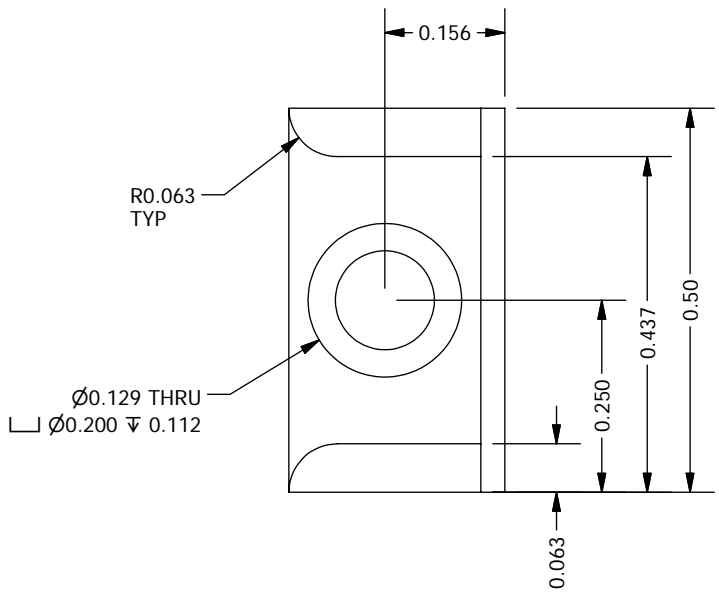


2

1



2

1

1	1	PFS06022
ITEM	QTY	DESCRIPTION
Bill of Material		
THE OBSERVATORIES OF THE CARNEGIE INSTITUTION OF WASHINGTON 813 Santa Barbara Street Pasadena, CA 91101		
MATERIAL	AI 6061	UNLESS OTHERWISE SPECIFIED FRACTIONAL DECIMAL ANGULAR +/- 1/32 .XX +/- 0.01 +/- 0.1 DEG .XXX +/- 0.002 GOAL .XXX +/- 0.005 REQD BREAK SHARP EDGES MACHINED SURFACES 125 ✓ ALL DIMENSIONS IN INCHES
EST WEIGHT	0.3 oz	
SCALE	4:1	P lanet F inder S pectrograph
		Slit Isolation Mount
DWN	CRANE	6/27/2007
APVD		
	BY	DATE
SHEET	DRAWING NUMBER	SHT 1 REV
A	PFS06022	OF 1 1