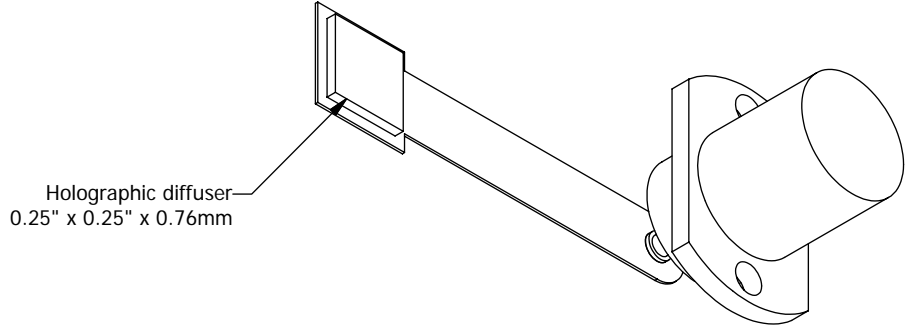
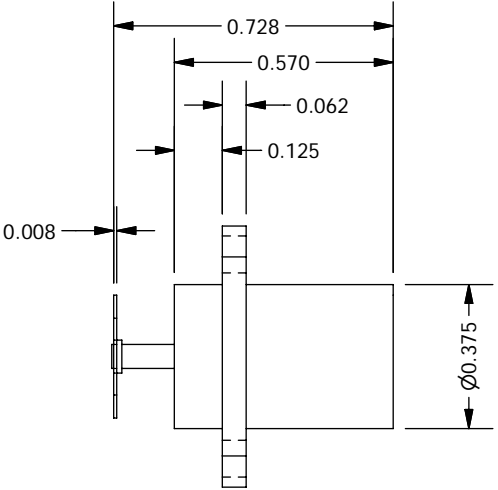
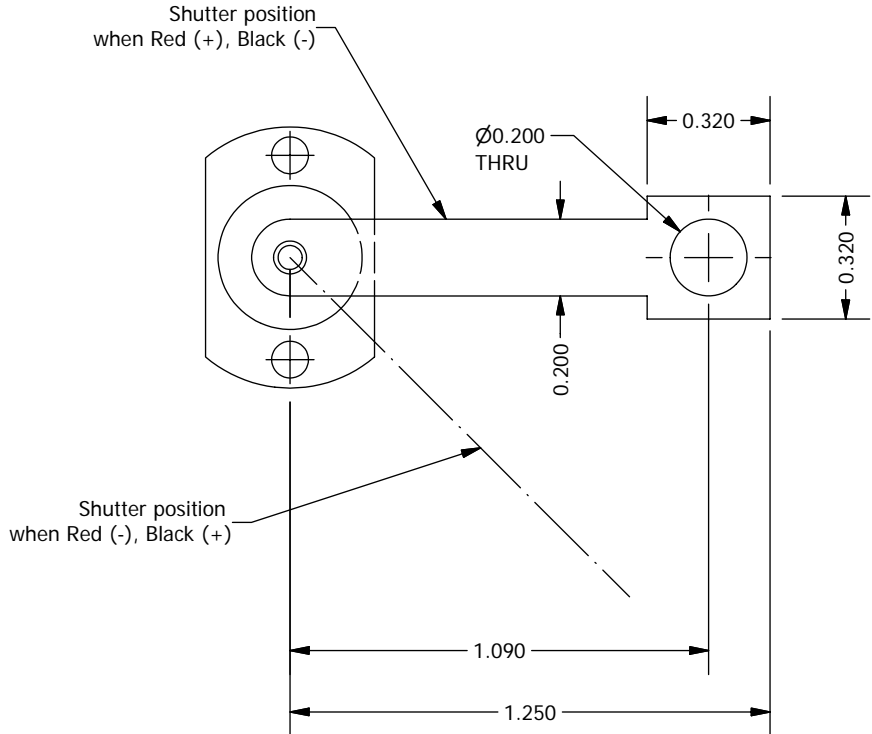


2

1



**NOTES**

1. Affix diffuser to flag using RTV around perimeter. In order to assure a tight, flat seating, adhesive should NOT be applied between diffuser and flag.
2. Drawing adapted from Daco Instrument Company dwg. no. 8108
3. Operating voltage 12 VDC
4. Angle of rotation  $45 \pm 2'$  as shown
5. Mode of operation: Bi-stable
6. Drawing does not include counterweight to balance diffuser about axle

<b>THE OBSERVATORIES OF THE CARNEGIE INSTITUTION OF WASHINGTON</b> 813 Santa Barbara Street Pasadena, CA 91101				
MATERIAL		UNLESS OTHERWISE SPECIFIED FRACTIONAL DECIMAL ANGULAR +/- 1/32 .XX +/- 0.01 +/- 0.1 DEG .XXX +/- 0.002 GOAL .XXX +/- 0.005 REQD BREAK SHARP EDGES MACHINED SURFACES 125 $\sqrt{\text{V}}$ ALL DIMENSIONS IN INCHES		
EST WEIGHT				
SCALE		2:1 <b>P lanet F inder S pectrograph</b> Daco Bi-Stable shutter for diffuser		
DWN	CRANE	5/11/2007		
APVD			SHEET	DRAWING NUMBER
	BY	DATE	A	PFS06021
			SHT 1 OF 1	REV 1

2

1