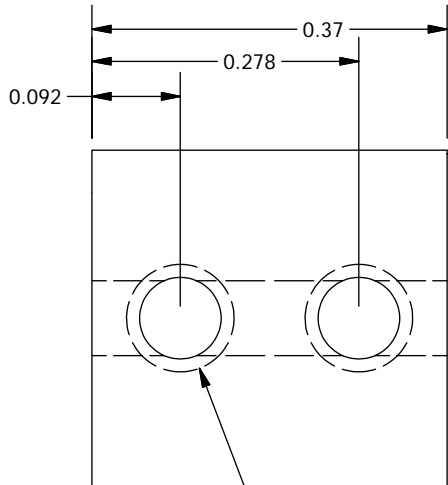
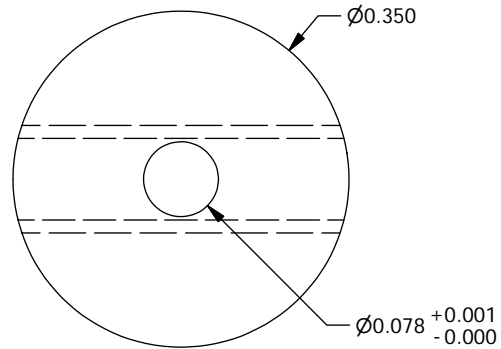


2

1



Ø0.089 THRU
4-40 UNC - 2B
2 PLACES



THE OBSERVATORIES
OF THE CARNEGIE INSTITUTION OF WASHINGTON
813 Santa Barbara Street
Pasadena, CA 91101

MATERIAL		Stainless Steel			UNLESS OTHERWISE SPECIFIED				
EST WEIGHT		0.1 oz			FRACTIONAL	DECIMAL	ANGULAR		
SCALE		5:1			+/- 1/32	.XX +/- 0.01	+/- 0.1 DEG		
DWN		CRANE	7/29/2011		.XXX +/- 0.002 GOAL				
APVD					.XXX +/- 0.005 REQD				
BY		DATE		SHEET		DRAWING NUMBER		SHT 1	REV
				A		PFS06019		OF 1	2

1	2	PFS06019
ITEM	QTY	DESCRIPTION
Bill of Material		

2

1