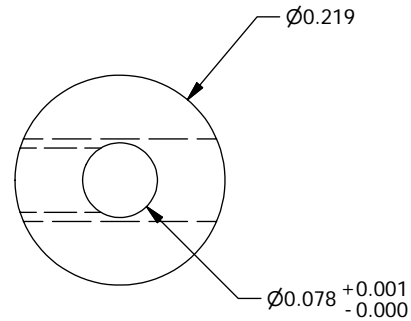


2-56 UNC - 2B  
 $\varnothing$ 0.109  
 2 HOLES



**NOTES**

1. Anodize black after machining

ITEM	QTY	DESCRIPTION
1	1	PFS06019
Bill of Material		

<b>THE OBSERVATORIES          OF THE CARNEGIE INSTITUTION OF WASHINGTON</b> 813 Santa Barbara Street Pasadena, CA 91101					
MATERIAL		UNLESS OTHERWISE SPECIFIED FRACTIONAL    DECIMAL    ANGULAR +/- 1/32    .XX +/- 0.01    +/- 0.1 DEG .XXX +/- 0.002 GOAL .XXX +/- 0.005 REQD BREAK SHARP EDGES    MACHINED SURFACES 125 $\sqrt$ ALL DIMENSIONS IN INCHES			
Aluminum-6061					
EST WEIGHT		0.1 oz			
SCALE		5:1			
		<b>P lanet          F nder          S pectrograph</b>		<b>Slit Mask Coupling</b>	
DWN	CRANE	6/5/2008			
APVD				SHEET	DRAWING NUMBER
	BY	DATE		<b>A</b>	<b>PFS06019</b>
				SHT 1 OF 1	REV 1

2

1

2

1