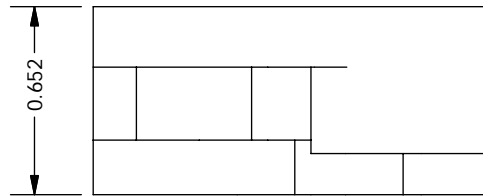
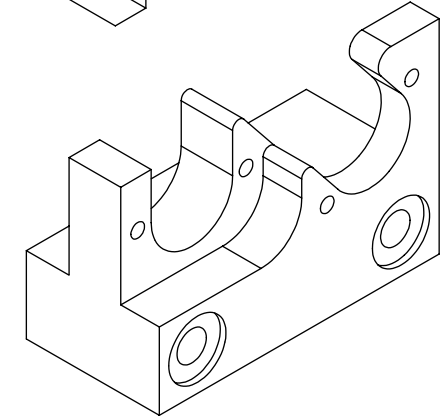
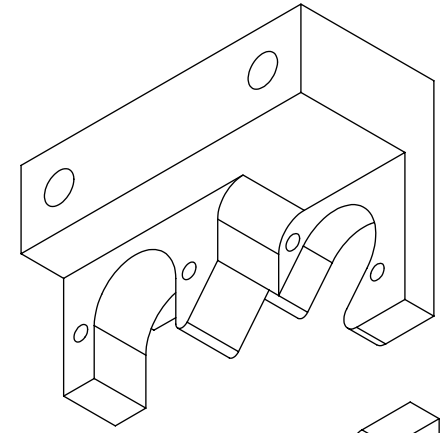
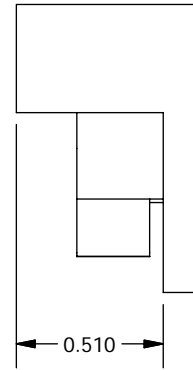
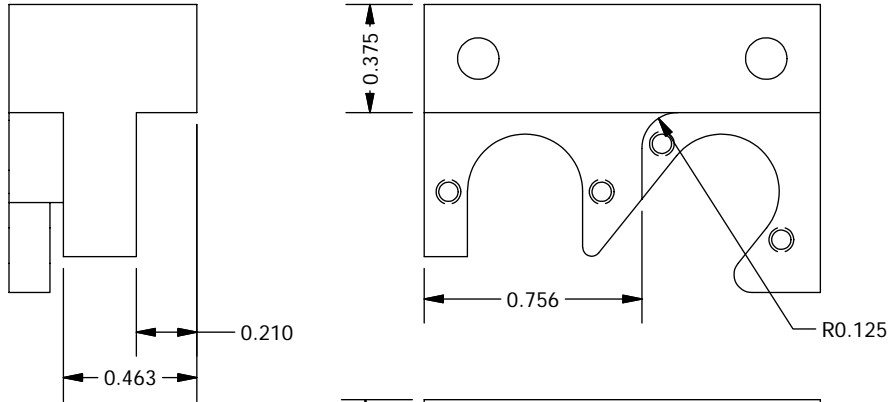


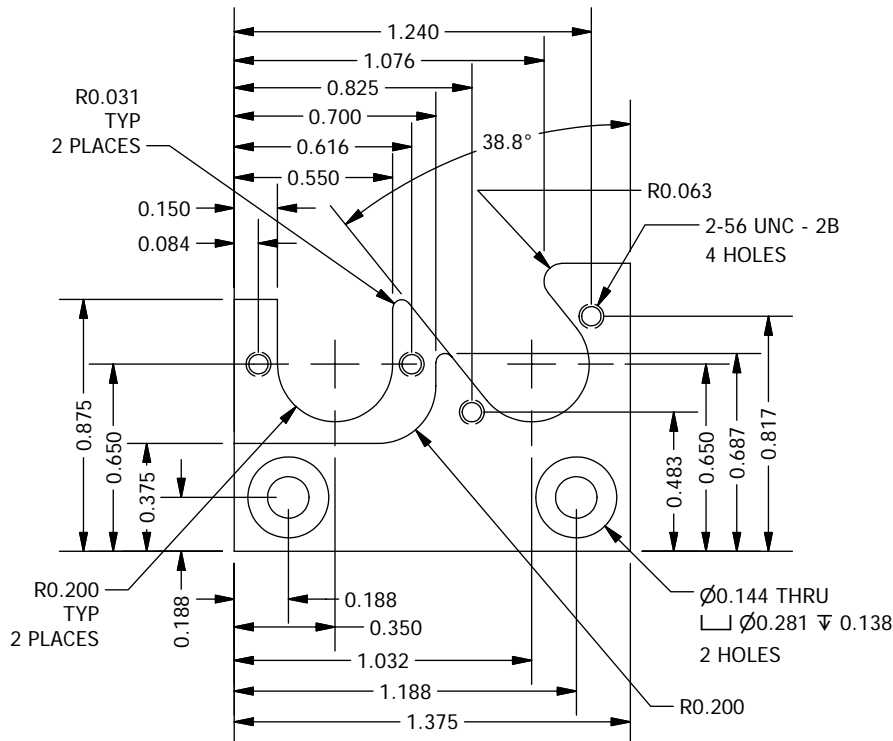
2

1



NOTES

1. Anodize black



1	1	PFS06018	
ITEM	QTY	DESCRIPTION	
Bill of Material			
THE OBSERVATORIES OF THE CARNEGIE INSTITUTION OF WASHINGTON 813 Santa Barbara Street Pasadena, CA 91101			
MATERIAL		UNLESS OTHERWISE SPECIFIED	
Aluminum-6061		FRACTIONAL +/- 1/32	DECIMAL .XX +/- 0.01 .XXX +/- 0.002 GOAL .XXX +/- 0.005 REQD
EST WEIGHT		ANGULAR +/- 0.1 DEG	
0.6 oz		BREAK SHARP EDGES MACHINED SURFACES 125 ✓ ALL DIMENSIONS IN INCHES	
SCALE		P lanet F nder S pectrograph	
3:2		Double Daco Shutter Mount	
DWN	CRANE	12/4/2009	
APVD			
	BY	DATE	
SHEET	DRAWING NUMBER		SHT 1 OF 1
A	PFS06018		REV 2

2

1