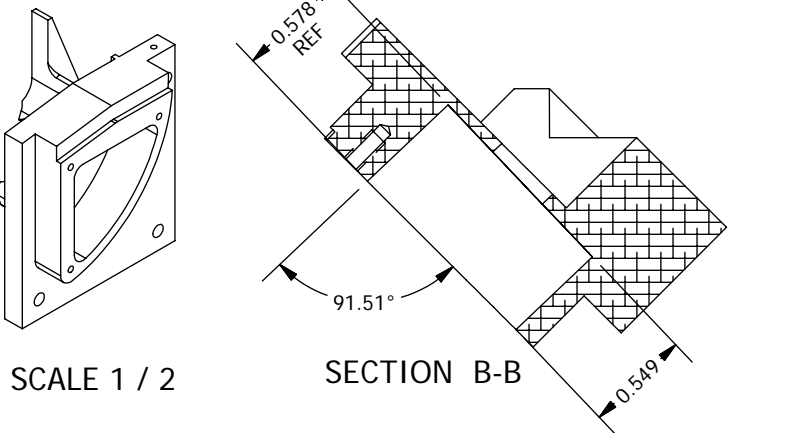
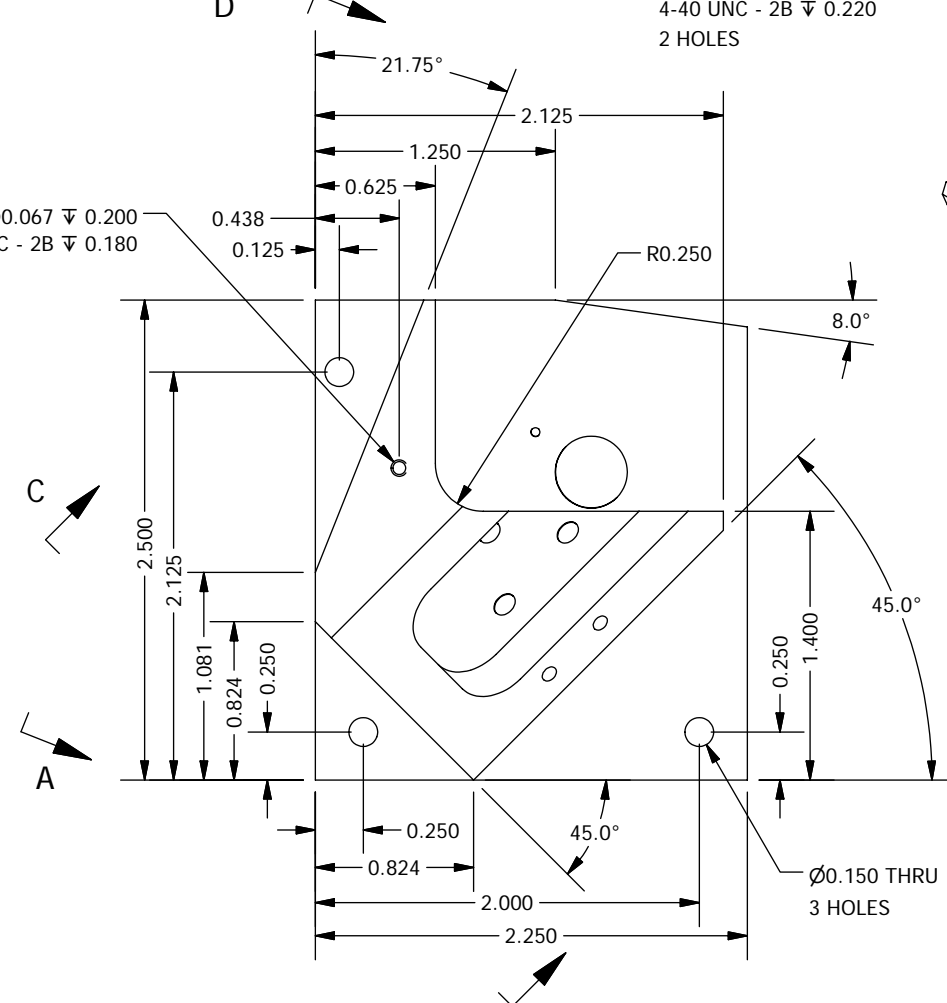
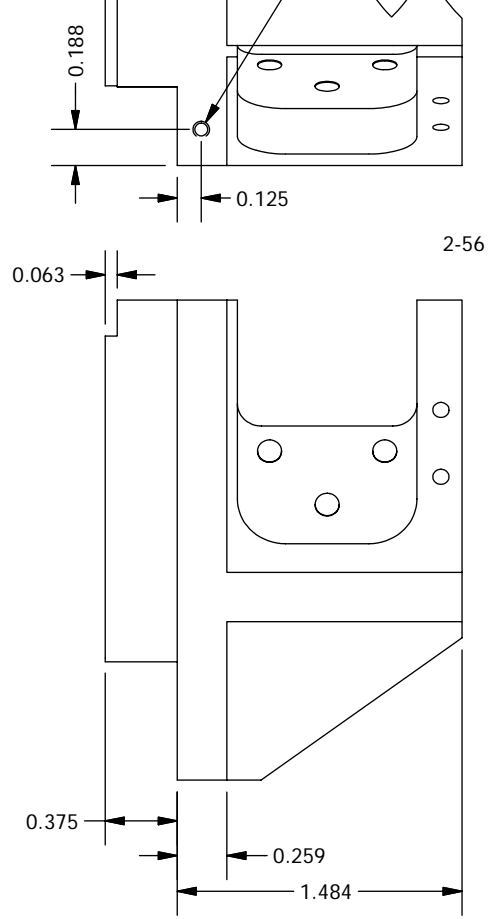
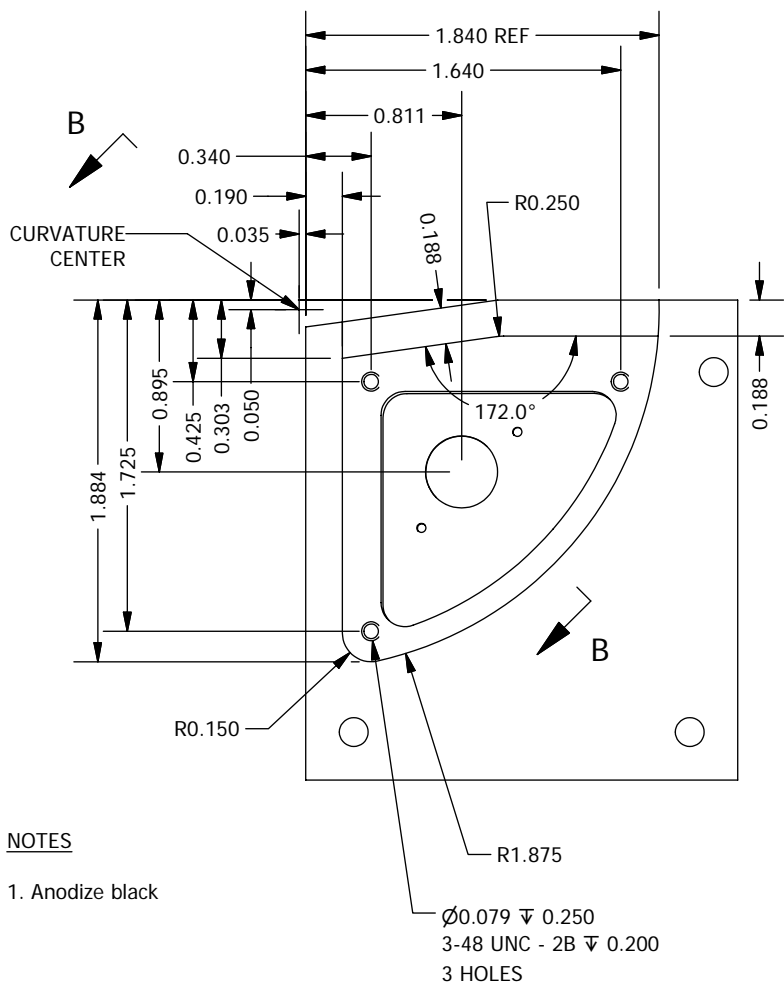
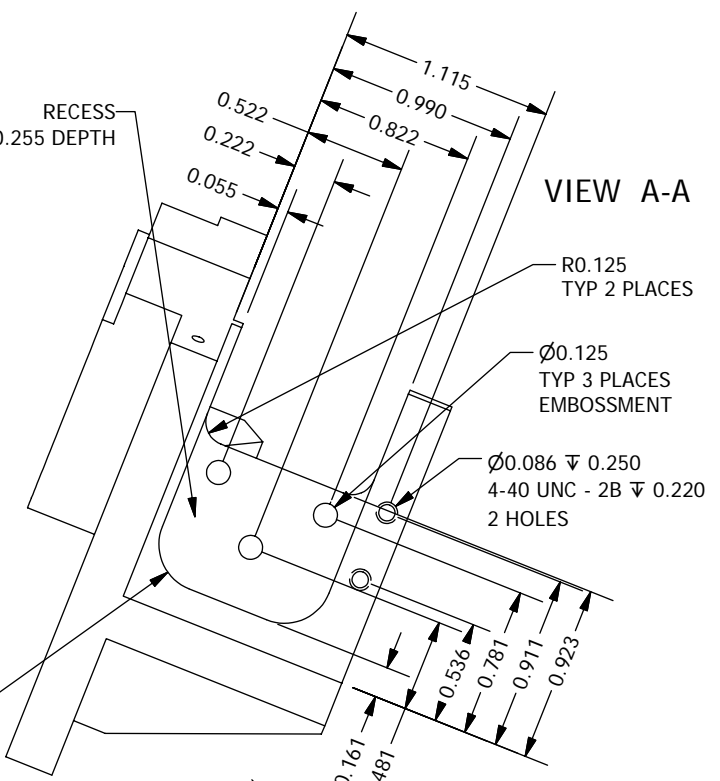
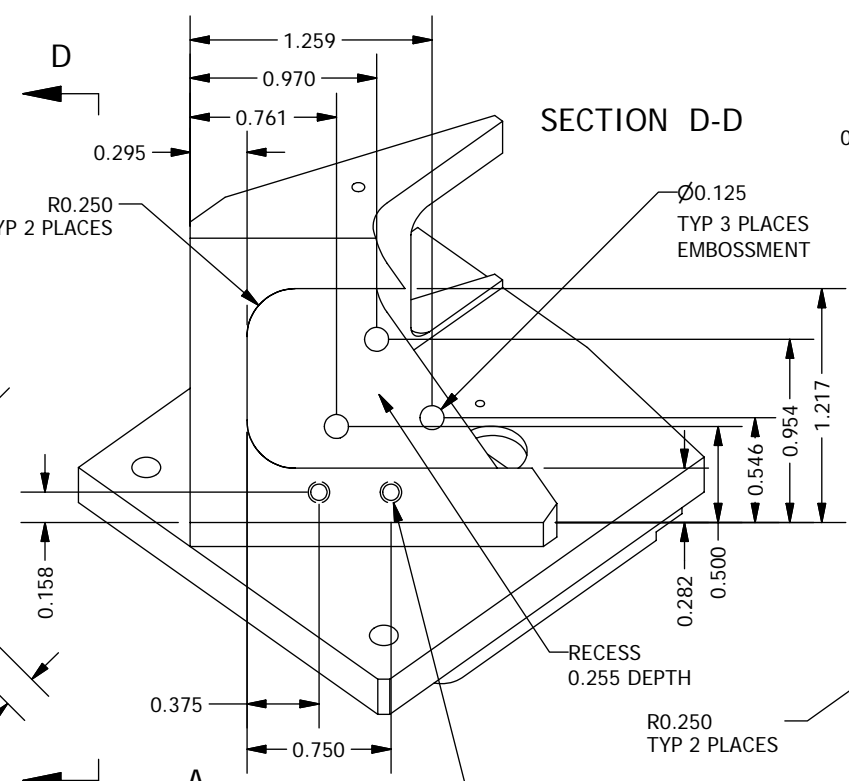
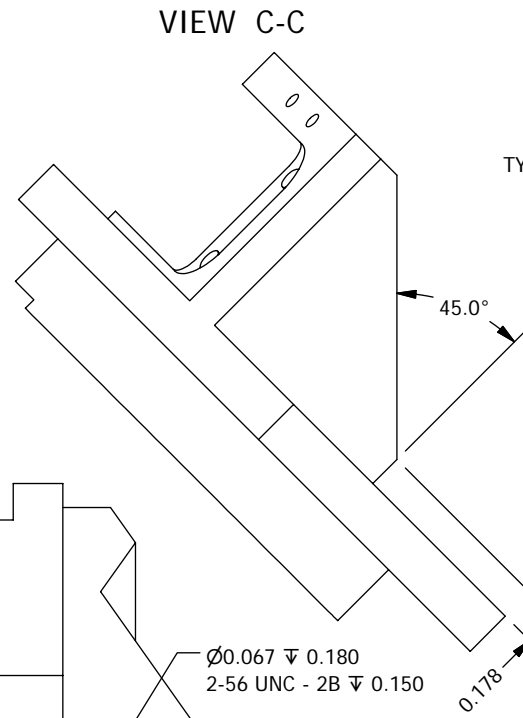
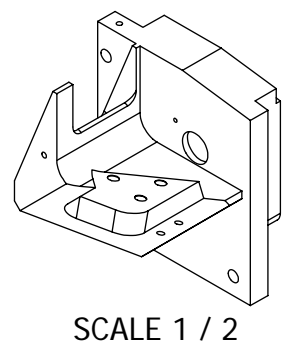
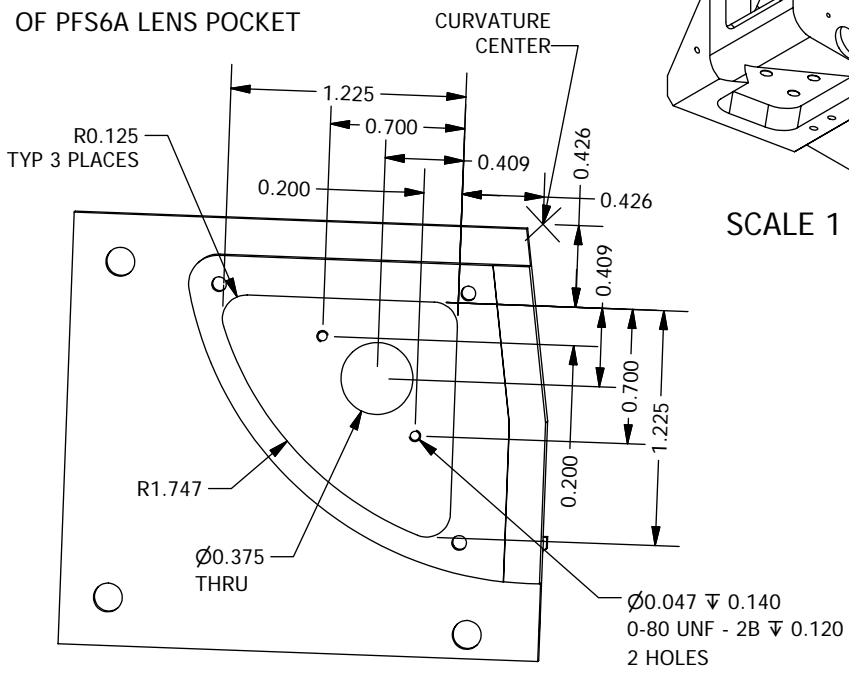


THIS VIEW ALIGNED WITH INTERIOR FACE OF PFS6A LENS POCKET



NOTES
 1. Anodize black

| 1 | 1 | PFS06003 |
|---|--|--------------------------------|
| ITEM | QTY | DESCRIPTION |
| Bill of Material | | |
| THE OBSERVATORIES OF THE CARNEGIE INSTITUTION OF WASHINGTON 813 Santa Barbara Street Pasadena, CA 91101 | | |
| MATERIAL | ALUMINUM-6061 UNLESS OTHERWISE SPECIFIED FRACTIONAL DECIMAL ANGULAR +/- 1/32 .XX +/- 0.01 +/- 0.1 DEG EST WEIGHT 4.3 oz .XXX +/- 0.002 GOAL .XXX +/- 0.005 REOD BREAK SHARP EDGES MACHINED SURFACES 125 ALL DIMENSIONS IN INCHES | |
| SCALE | 1:1 | |
| P lanet F nder S pectrograph | | Multi-Fold Mirror Mount |
| DWN | CRANE | 3/2/2007 |
| APVD | BY | DATE |
| SHEET B | DRAWING NUMBER PFS06003 | SHT 1 OF 1 |
| | | REV |