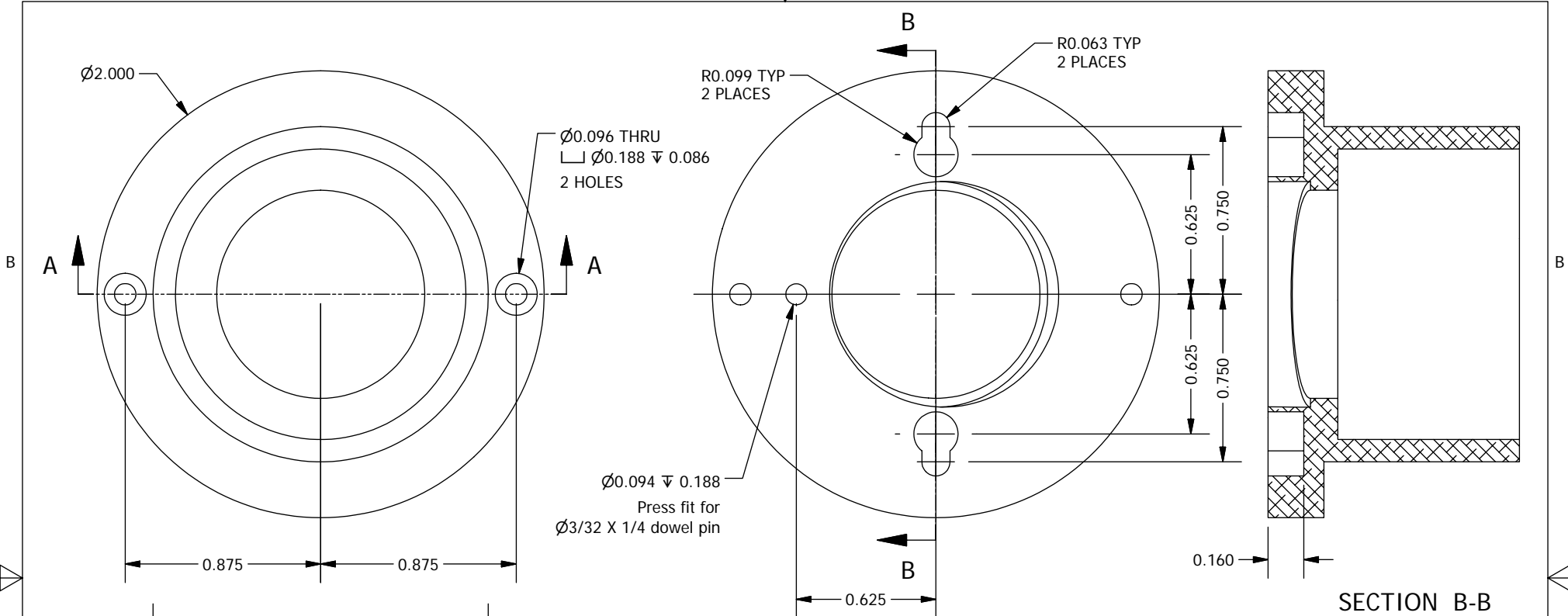


2

1



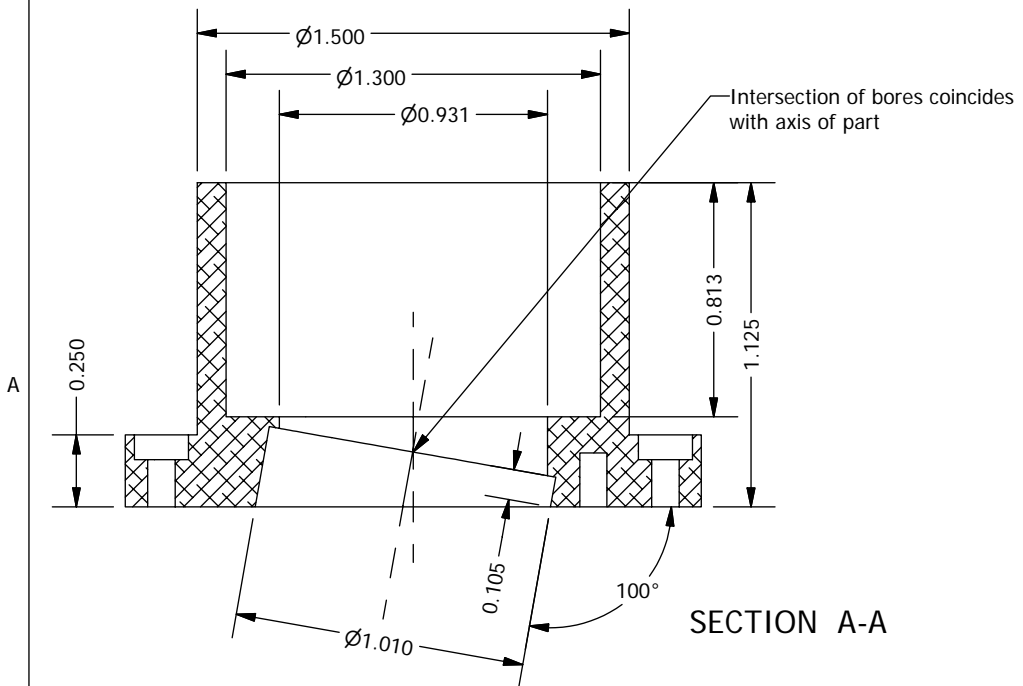
$\varnothing 0.096$ THRU
 $\varnothing 0.188 \nabla 0.086$
 2 HOLES

R0.099 TYP
 2 PLACES

R0.063 TYP
 2 PLACES

$\varnothing 0.094 \nabla 0.188$
 Press fit for
 $\varnothing 3/32 \times 1/4$ dowel pin

SECTION B-B



SECTION A-A

NOTES

- 1. Anodize black

THE OBSERVATORIES OF THE CARNEGIE INSTITUTION OF WASHINGTON 813 Santa Barbara Street Pasadena, CA 91101				
MATERIAL		UNLESS OTHERWISE SPECIFIED		
Aluminum-6061		FRACTIONAL	DECIMAL	ANGULAR
		+/- 1/32	.XX +/- 0.01	+/- 0.1 DEG
EST WEIGHT		.XXX +/- 0.002 GOAL		
2 oz		.XXX +/- 0.005 REQD		
SCALE		BREAK SHARP EDGES MACHINED SURFACES 125 $\sqrt{\hspace{1cm}}$		
3:2		ALL DIMENSIONS IN INCHES		
		P lanet F inder S pectrograph		Front Baffle with Tilted Filter Holder
DWN	CRANE	1/13/2010		
APVD				
	BY	DATE	SHEET A	DRAWING NUMBER PFS04089
			SHT 1 OF 1	REV

2

1