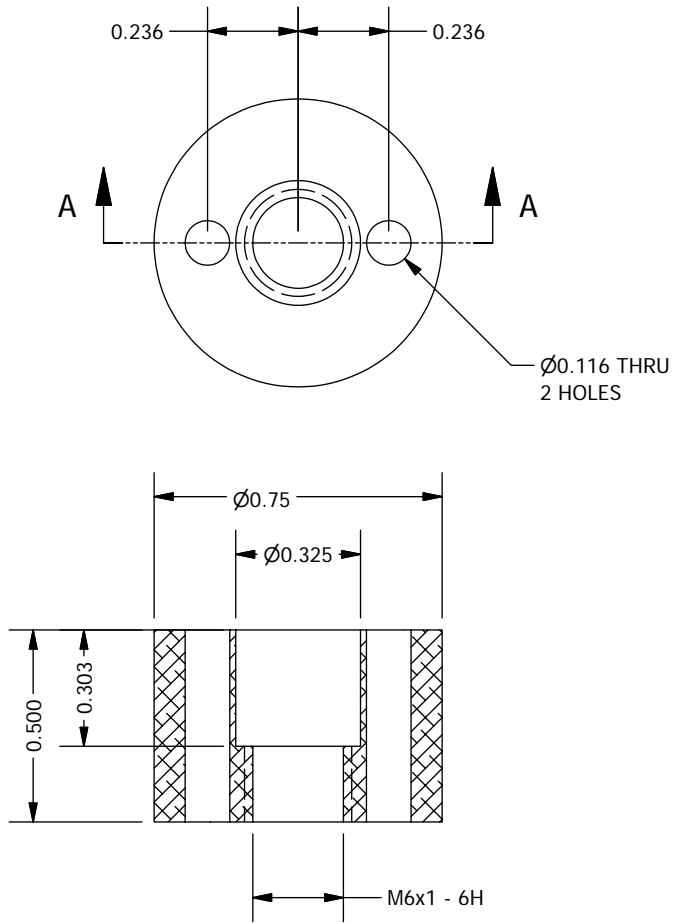


2

1

NOTES

1. Anodize black



1	1	PFS04073
ITEM	QTY	DESCRIPTION
Bill of Material		
THE OBSERVATORIES OF THE CARNEGIE INSTITUTION OF WASHINGTON 813 Santa Barbara Street Pasadena, CA 91101		
MATERIAL		UNLESS OTHERWISE SPECIFIED FRACTIONAL DECIMAL ANGULAR +/- 1/32 .XX +/- 0.01 +/- 0.1 DEG .XXX +/- 0.002 GOAL .XXX +/- 0.005 REQD BREAK SHARP EDGES MACHINED SURFACES 125 ✓ ALL DIMENSIONS IN INCHES
Aluminum-6061		
EST WEIGHT		0.3 oz
SCALE		2:1
		P lanet F nder S pectrograph
		QTH Lamp H250 Base Adapter
DWN	CRANE	8/23/2007
APVD		
	BY	DATE
SHEET	DRAWING NUMBER	
A	PFS04073	
	SHT 1	REV
	OF 1	1

2

1