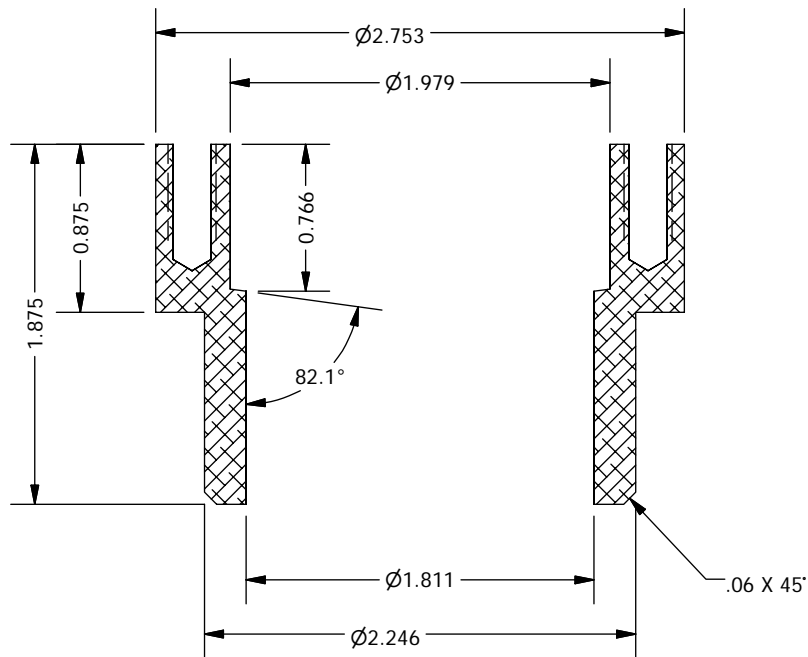


NOTES

1. Anodize black
2. Part gets epoxied to G10 tube (PFS04015). Nominal epoxy layer thickness is 0.004. Adjust Ø2.246 dimension as necessary after measurement of actual tube I.D.



1	1	PFS04069				
ITEM	QTY	DESCRIPTION				
Bill of Material						
THE OBSERVATORIES OF THE CARNEGIE INSTITUTION OF WASHINGTON 813 Santa Barbara Street Pasadena, CA 91101						
MATERIAL		UNLESS OTHERWISE SPECIFIED				
Aluminum-6061		FRACTIONAL DECIMAL ANGULAR				
		+/- 1/32 .XX +/- 0.01 +/- 0.1 DEG				
EST WEIGHT		.XXX +/- 0.002 GOAL				
6.0 oz		.XXX +/- 0.005 REQD				
		BREAK SHARP EDGES MACHINED SURFACES 125√				
		ALL DIMENSIONS IN INCHES				
SCALE		P lanet F nder S pectrograph				
1:1						
		Pre Slit Support Arm Cap 1				
DWN	CRANE		6/12/2007			
APVD			SHEET	DRAWING NUMBER	SHT 1	REV
	BY	DATE	A	PFS04069	OF 1	