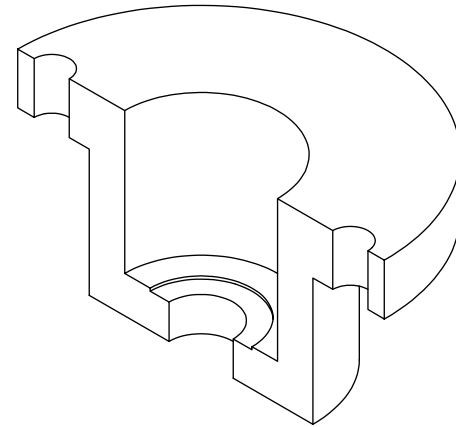
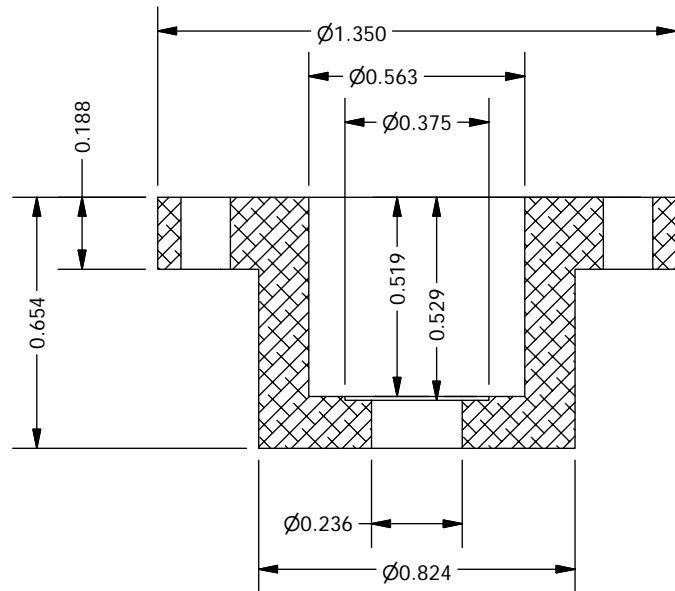


$\varnothing 0.129$ THRU
2 HOLES



3D CROSS SECTION



NOTES

1. Anodize black

1	1	PFS04066
ITEM	QTY	DESCRIPTION
Bill of Material		
THE OBSERVATORIES OF THE CARNEGIE INSTITUTION OF WASHINGTON 813 Santa Barbara Street Pasadena, CA 91101		
MATERIAL		UNLESS OTHERWISE SPECIFIED FRACTIONAL DECIMAL ANGULAR $\pm 1/32$.XX ± 0.01 ± 0.1 DEG .XXX ± 0.002 GOAL .XXX ± 0.005 REQD BREAK SHARP EDGES MACHINED SURFACES 125 $\sqrt{\hspace{1cm}}$ ALL DIMENSIONS IN INCHES
Aluminum-6061		
EST WEIGHT		0.5 oz
SCALE		2:1
		P lanet F nder S pectrograph
		Pinhole Mount
DWN	CRANE	6/15/2007
APVD		
	BY	DATE
SHEET	DRAWING NUMBER	
A	PFS04066	
	SHT 1	REV
	OF 1	