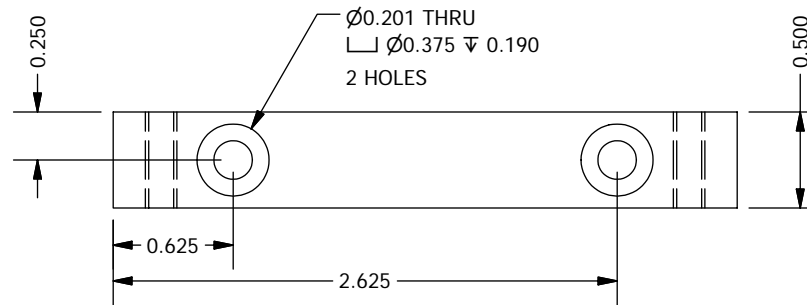
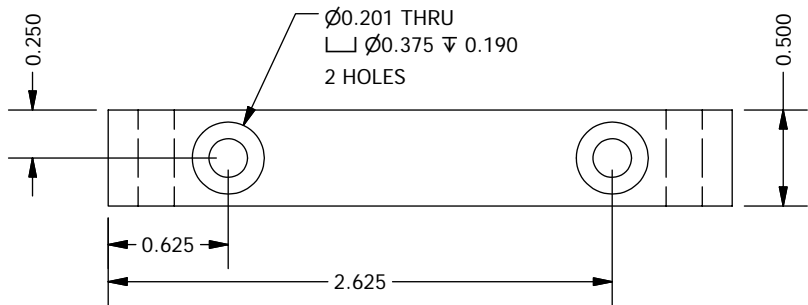
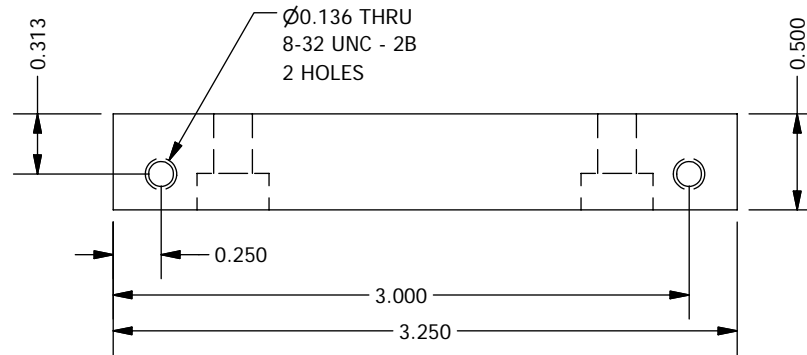
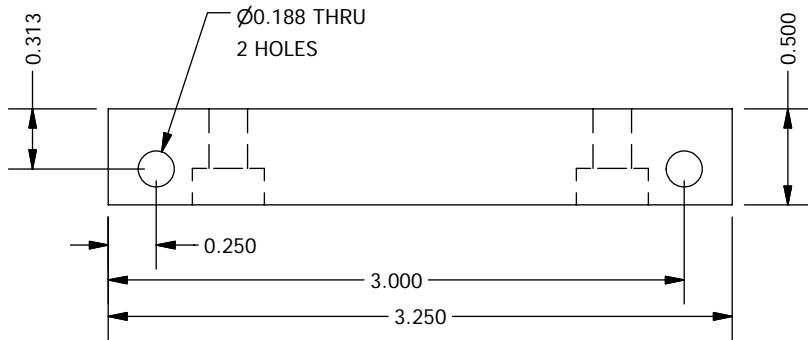


2

1



PFS04062

PFS04063

NOTES

- 1. Anodize black

2	1	PFS04063
1	1	PFS04062
ITEM	QTY	DESCRIPTION
Bill of Material		

THE OBSERVATORIES
OF THE CARNEGIE INSTITUTION OF WASHINGTON
813 Santa Barbara Street
Pasadena, CA 91101

MATERIAL		UNLESS OTHERWISE SPECIFIED	
Aluminum-6061		FRACTIONAL	DECIMAL ANGULAR
EST WEIGHT		+/- 1/32	.XX +/- 0.01 +/- 0.1 DEG
SCALE		.XXX +/- 0.002 GOAL	
1:1		.XXX +/- 0.005 REQD	
DWN		BREAK SHARP EDGES MACHINED SURFACES 125	
CRANE		ALL DIMENSIONS IN INCHES	
6/15/2007		P lanet	
APVD		F inder	
BY		S pectrograph	
DATE		Saddlebag Flanges	
SHEET	DRAWING NUMBER	SHT 1	REV
A	PFS04062-3	OF 1	

2

1