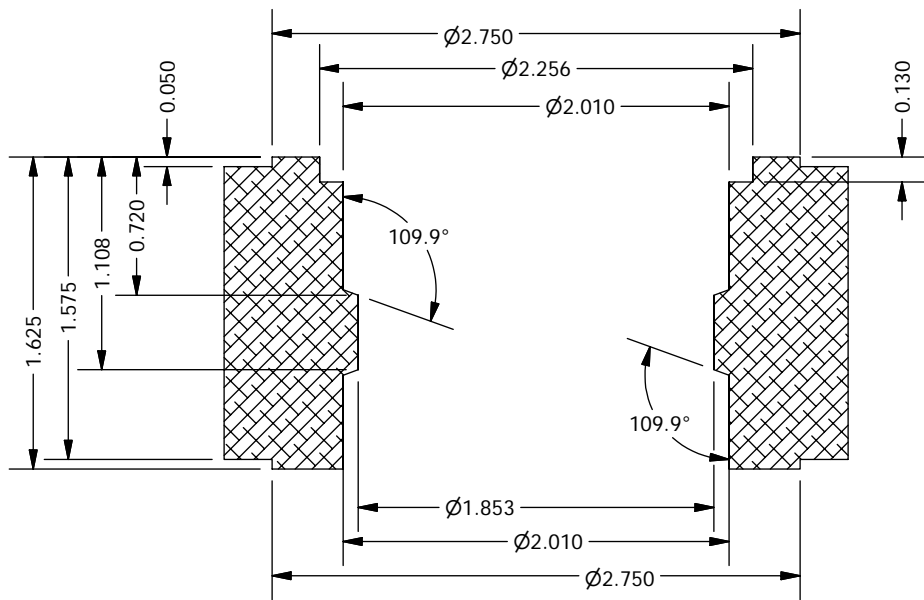


NOTES

- 1. Anodize black



1	2	PFS04053
ITEM	QTY	DESCRIPTION
Bill of Material <b>THE OBSERVATORIES          OF THE CARNEGIE INSTITUTION OF WASHINGTON</b> 813 Santa Barbara Street Pasadena, CA 91101		
MATERIAL	UNLESS OTHERWISE SPECIFIED FRACTIONAL DECIMAL ANGULAR $\pm 1/32$ .XX $\pm 0.01$ $\pm 0.1$ DEG .XXX $\pm 0.002$ GOAL .XXX $\pm 0.005$ REQD BREAK SHARP EDGES MACHINED SURFACES 125 $\sqrt$ ALL DIMENSIONS IN INCHES	
EST WEIGHT	1.1 lb	
SCALE	1:1	
P lanet F nder S pectrograph		Calibration Lamp Lens Mount
DWN	CRANE	6/14/2007
APVD		
BY	DATE	
SHEET	DRAWING NUMBER	SHT 1
A	PFS04053	OF 1
REV		