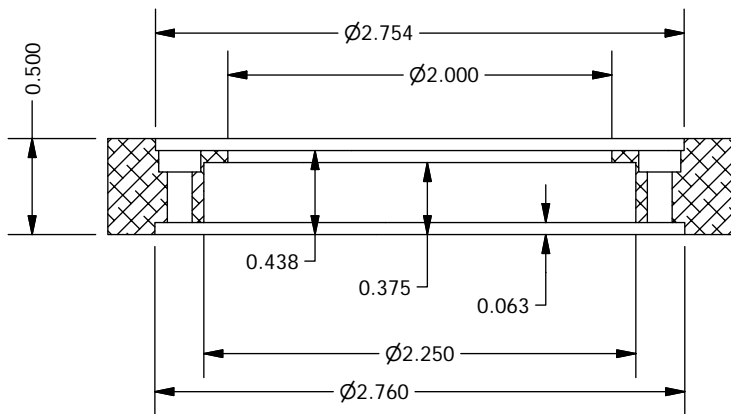
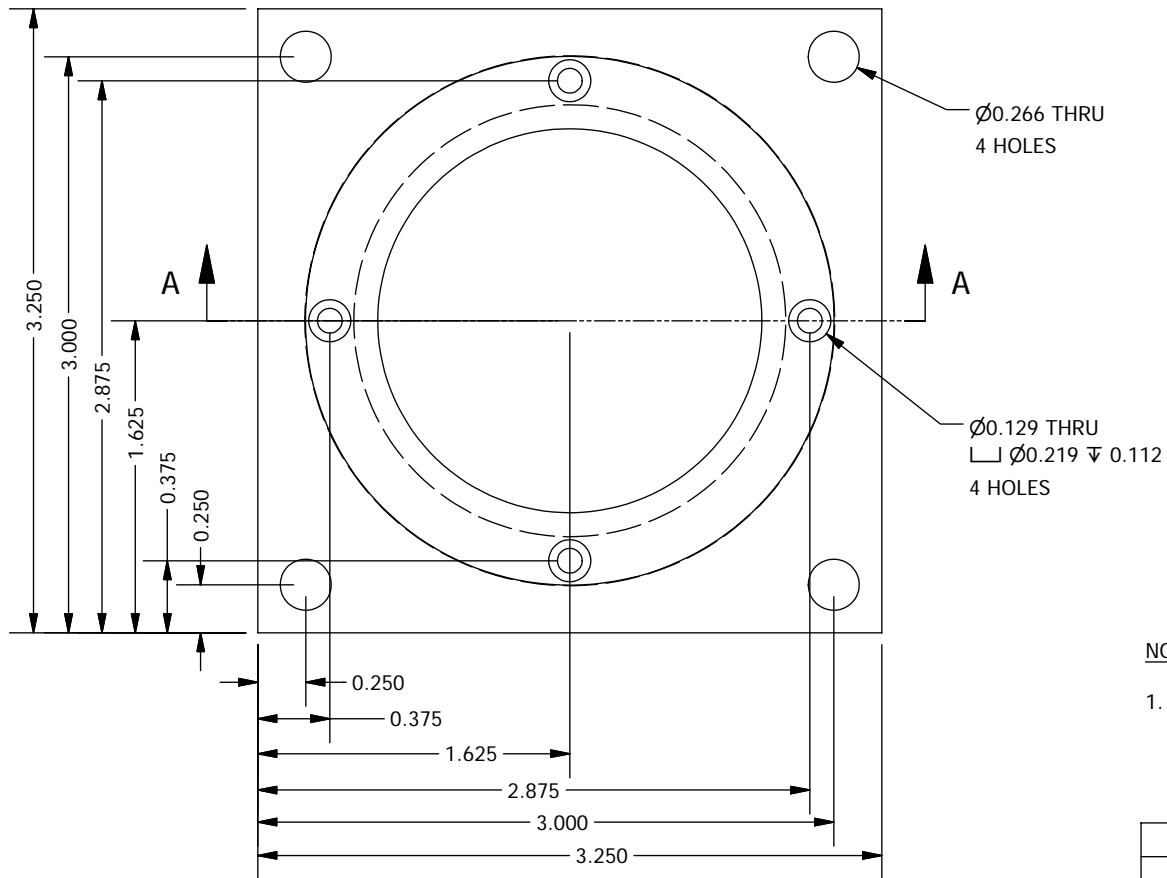


2

1



NOTES

- 1. Anodize black

1	2	PFS04052	
ITEM	QTY	DESCRIPTION	
Bill of Material			
THE OBSERVATORIES OF THE CARNEGIE INSTITUTION OF WASHINGTON 813 Santa Barbara Street Pasadena, CA 91101			
MATERIAL		UNLESS OTHERWISE SPECIFIED FRACTIONAL DECIMAL ANGULAR +/- 1/32 .XX +/- 0.01 +/- 0.1 DEG .XXX +/- 0.002 GOAL .XXX +/- 0.005 REQD BREAK SHARP EDGES MACHINED SURFACES 125 ✓ ALL DIMENSIONS IN INCHES	
EST WEIGHT		4.6 oz	
SCALE		1:1	
		P lanet F inder S pectrograph	
		Calibration Lamp Tube Mount Flange	
DWN	CRANE	6/14/2007	
APVD			
	BY	DATE	
SHEET	DRAWING NUMBER		SHT 1
A	PFS04052		OF 1
			REV

2

1