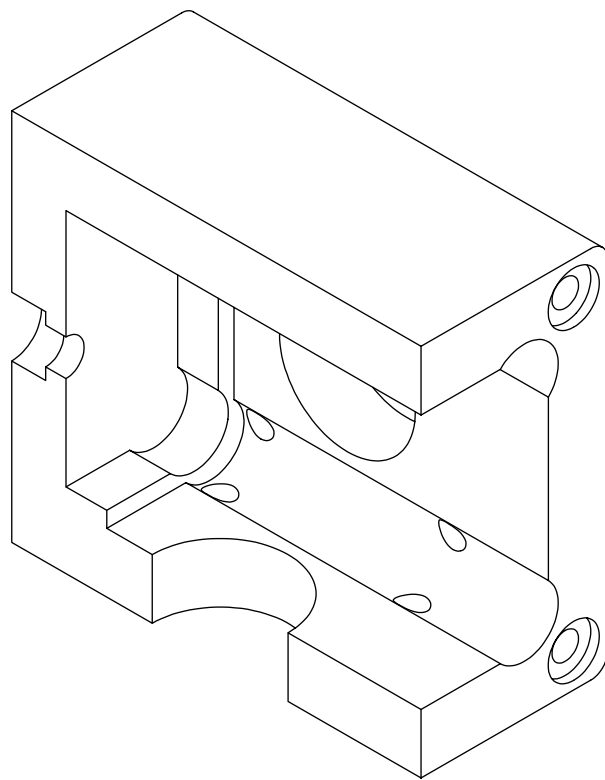
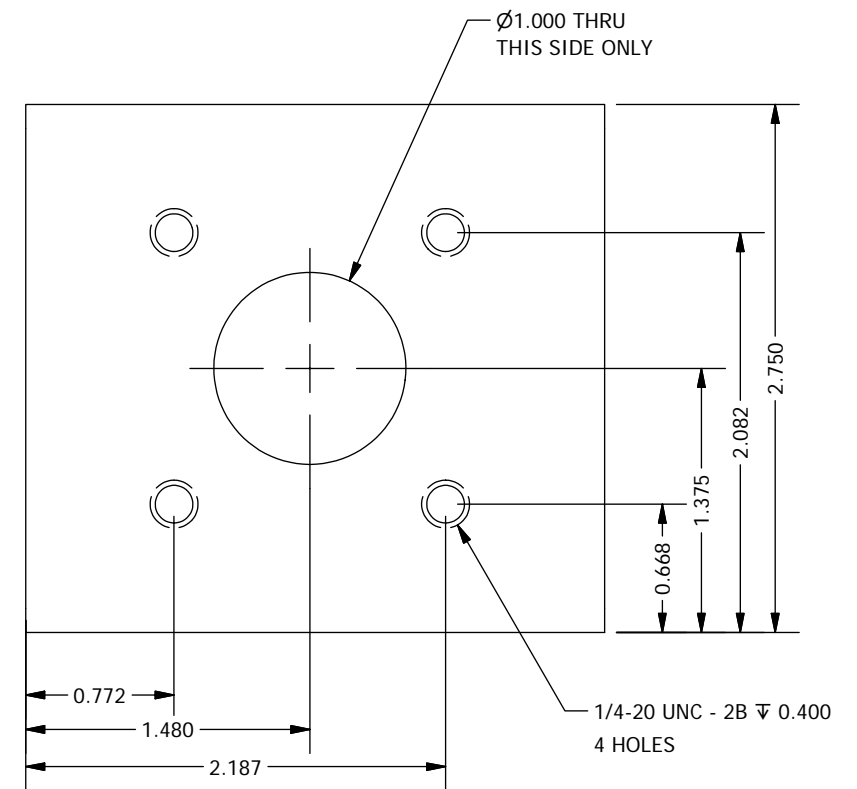
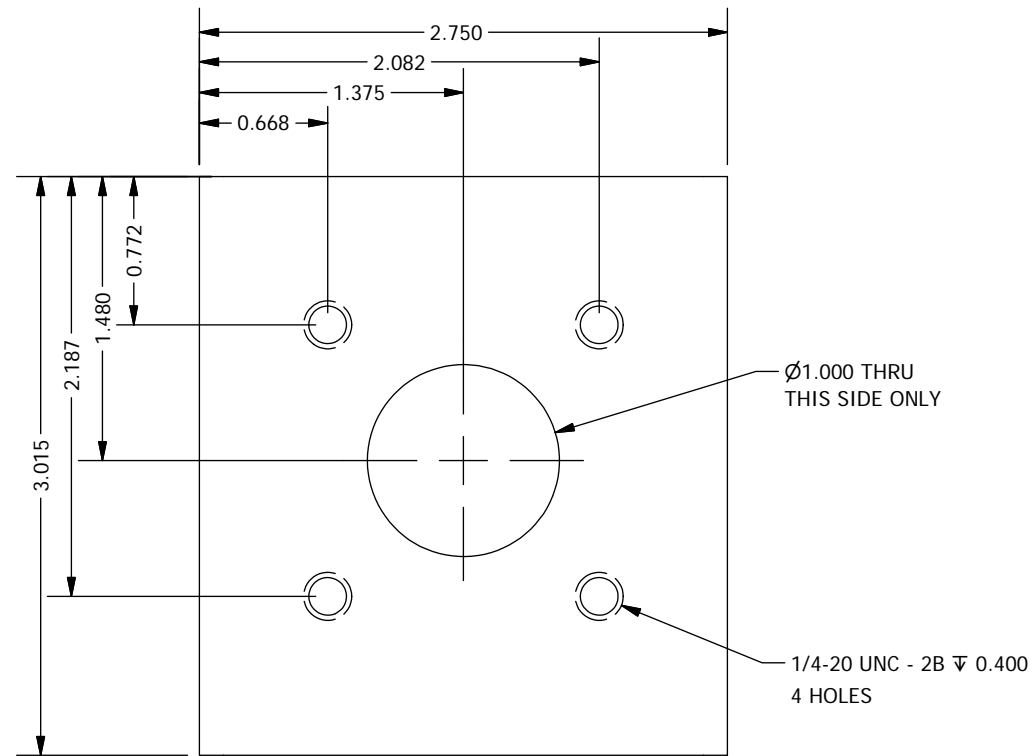
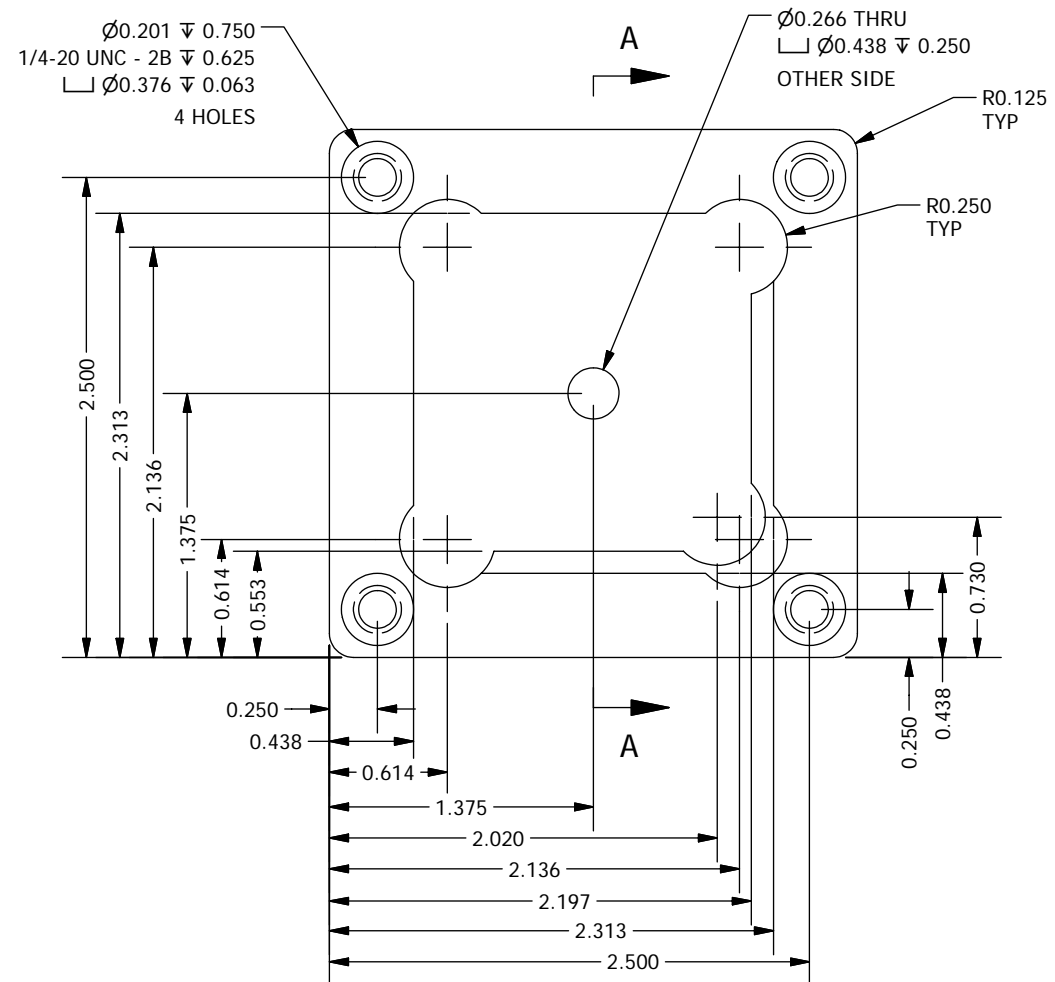


SECTION A-A



3D SECTION A-A



NOTES

- 1. Anodize black

1	1	PFS04051
ITEM	QTY	DESCRIPTION
Bill of Material		
THE OBSERVATORIES OF THE CARNEGIE INSTITUTION OF WASHINGTON 813 Santa Barbara Street Pasadena, CA 91101		
MATERIAL		UNLESS OTHERWISE SPECIFIED
Aluminum-6061		FRACTIONAL DECIMAL ANGULAR
		+/- 1/32 .XX +/- 0.01 +/- 0.1 DEG
EST WEIGHT		.XXX +/- 0.002 GOAL
1.2 lb		.XXX +/- 0.005 REQD
SCALE		BREAK SHARP EDGES MACHINED SURFACES 125
1:1		ALL DIMENSIONS IN INCHES
		P lanet F nder S pectrograph
		Integrating Sphere Mount
DWN	CRANE	8/28/2007
APVD	BY	DATE
SHEET	DRAWING NUMBER	SHT 1 OF 1
B	PFS04051	REV 1