

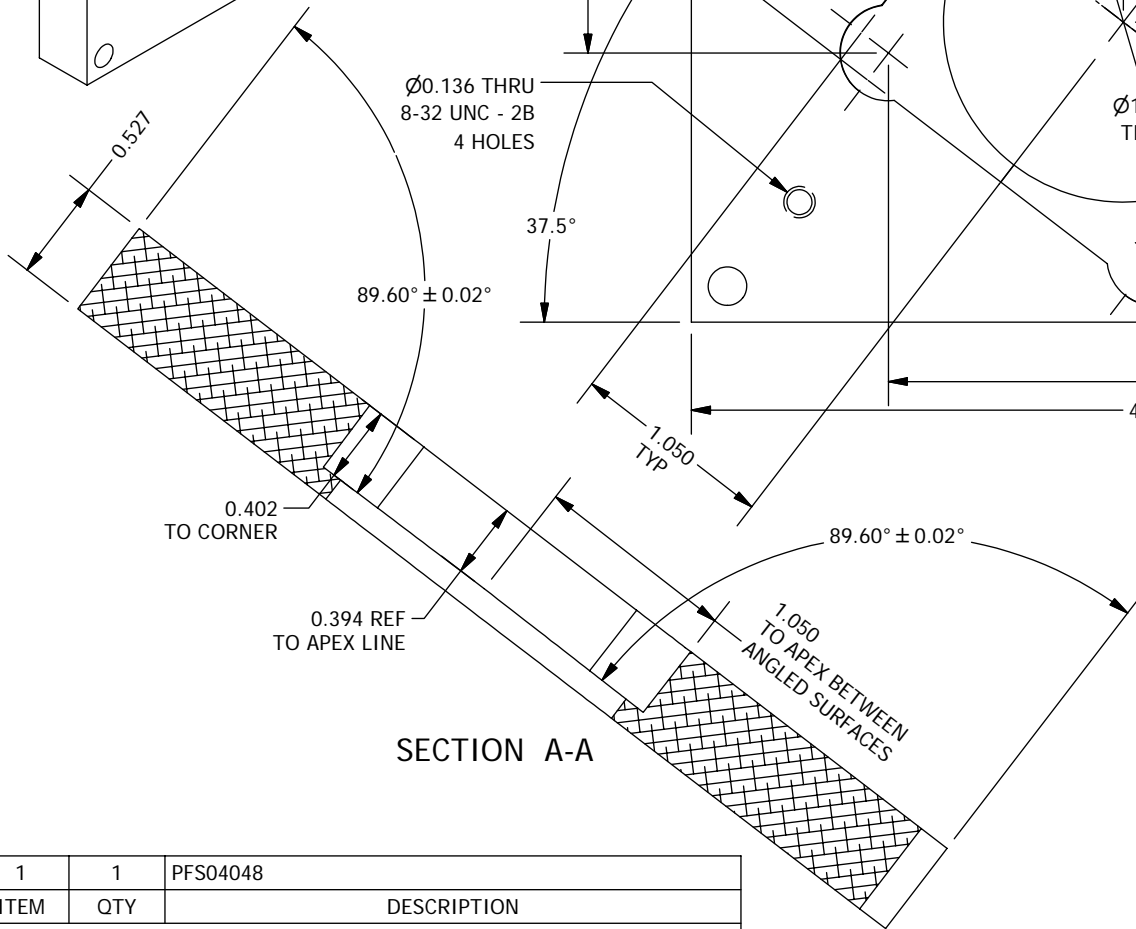
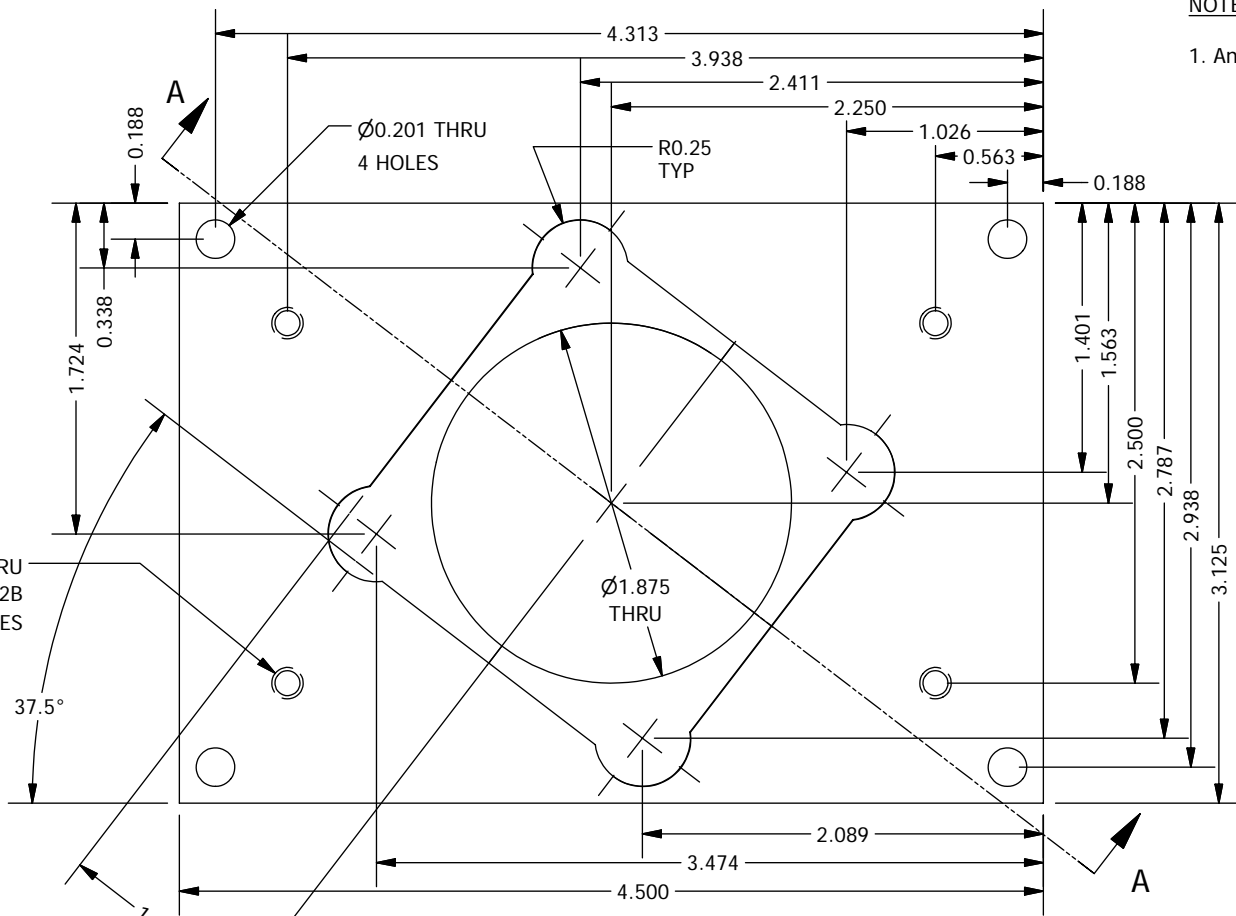
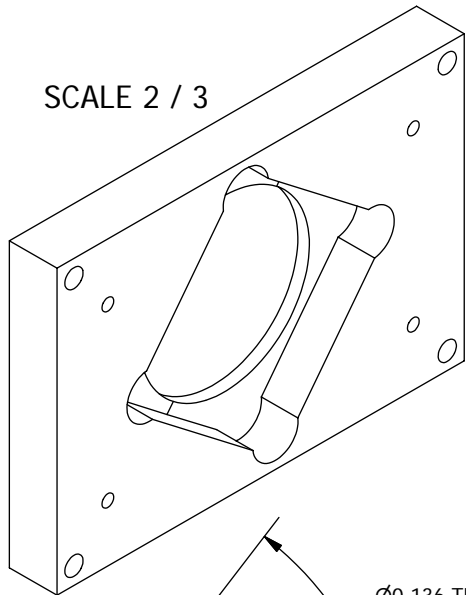
2

1

NOTES

1. Anodize black

SCALE 2 / 3



ITEM	QTY	DESCRIPTION
1	1	PFS04048
Bill of Material		

2

THE OBSERVATORIES
OF THE CARNEGIE INSTITUTION OF WASHINGTON
813 Santa Barbara Street
Pasadena, CA 91101

MATERIAL		UNLESS OTHERWISE SPECIFIED		
Aluminum-6061		FRACTIONAL	DECIMAL	ANGULAR
		+/- 1/32	.XX +/- 0.01	+/- 0.1 DEG
EST WEIGHT		.XXX +/- 0.002 GOAL		
8.0 oz		.XXX +/- 0.005 REQD		
SCALE		BREAK SHARP EDGES MACHINED SURFACES 125 ✓		
1:1		ALL DIMENSIONS IN INCHES		
		P lanet F nder S pectrograph		Pupil Mirror Mount
DWN	CRANE	5/14/2009		
APVD			SHEET	DRAWING NUMBER
	BY	DATE	A	PFS04048
			SHT 1 OF 1	REV 2

1