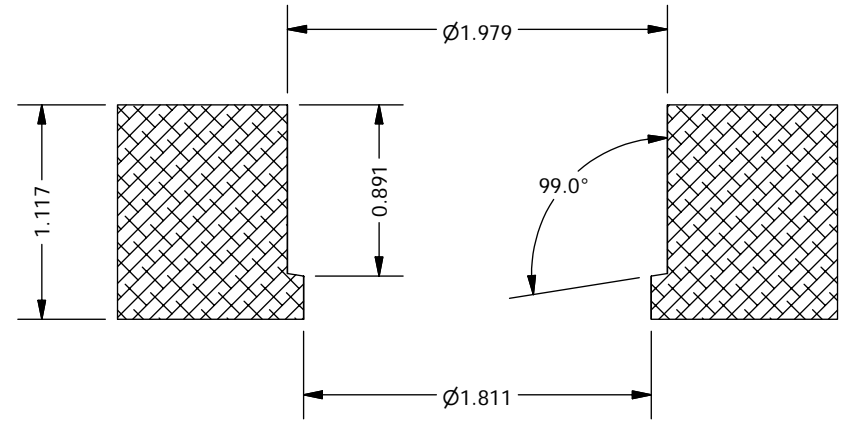


Ø0.177 THRU
 4 HOLES

Ø0.136 ± 0.380
 8-32 UNC - 2B ± 0.330
 4 HOLES

NOTES
 1. Anodize black



SECTION A-A

1	1	PFS04047
ITEM	QTY	DESCRIPTION
Bill of Material		
THE OBSERVATORIES OF THE CARNEGIE INSTITUTION OF WASHINGTON 813 Santa Barbara Street Pasadena, CA 91101		
MATERIAL		UNLESS OTHERWISE SPECIFIED FRACTIONAL DECIMAL ANGULAR +/- 1/32 .XX +/- 0.01 +/- 0.1 DEG .XXX +/- 0.002 GOAL .XXX +/- 0.005 REQD BREAK SHARP EDGES MACHINED SURFACES 125 ✓ ALL DIMENSIONS IN INCHES
Aluminum-6061		
EST WEIGHT		9.2 oz
SCALE		1:1
		P lanet F nder S pectrograph
		Lens PV1 Mount
DWN	CRANE	7/3/2007
APVD		
	BY	DATE
SHEET	DRAWING NUMBER	
A	PFS04047	
	SHT 1	REV
	OF 1	1