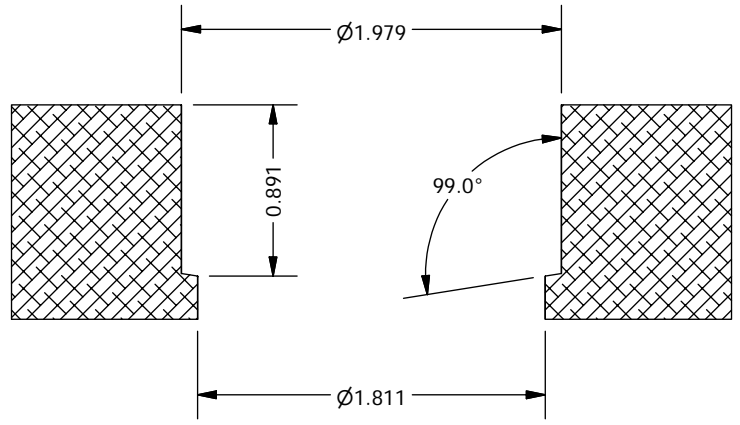


Ø0.177 THRU  
 ⌊ Ø0.313 ▽ 0.429  
 4 HOLES

Ø0.136 ▽ 0.380  
 8-32 UNC - 2B ▽ 0.330  
 4 HOLES

**NOTES**  
 1. Anodize black



SECTION A-A

1	1	PFS04047
ITEM	QTY	DESCRIPTION
Bill of Material		
<b>THE OBSERVATORIES          OF THE CARNEGIE INSTITUTION OF WASHINGTON</b> 813 Santa Barbara Street Pasadena, CA 91101		
MATERIAL		UNLESS OTHERWISE SPECIFIED FRACTIONAL    DECIMAL    ANGULAR +/- 1/32    .XX +/- 0.01    +/- 0.1 DEG .XXX +/- 0.002 GOAL .XXX +/- 0.005 REQD BREAK SHARP EDGES    MACHINED SURFACES 125 ✓ ALL DIMENSIONS IN INCHES
Aluminum-6061		
EST WEIGHT		9.2 oz
SCALE		1:1
		<b>P lanet          F nder          S pectrograph</b>
		Lens PV1 Mount
DWN	CRANE	6/12/2007
APVD		
	BY	DATE
SHEET	DRAWING NUMBER	
A	PFS04047	
	SHT 1	REV
	OF 1	