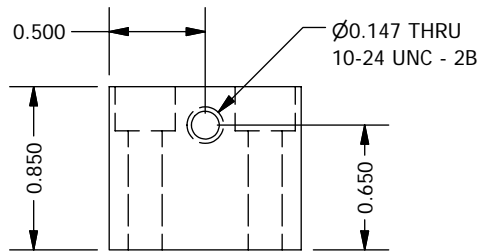
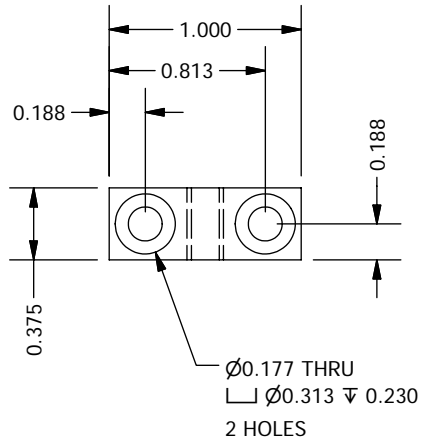


2

1



NOTES

- 1. Anodize black

| 1 | 1 | PFS04044 |
|--------------------------------------------------------------------------------------------------------------------------|----------------|-------------------------------------------------------------------------------------------------------------------------------------------------------------------------------------------------------------------------------------|
| ITEM | QTY | DESCRIPTION |
| Bill of Material | | |
| THE OBSERVATORIES OF THE CARNEGIE INSTITUTION OF WASHINGTON 813 Santa Barbara Street Pasadena, CA 91101 | | |
| MATERIAL | | UNLESS OTHERWISE SPECIFIED FRACTIONAL DECIMAL ANGULAR +/- 1/32 .XX +/- 0.01 +/- 0.1 DEG .XXX +/- 0.002 GOAL .XXX +/- 0.005 REQD BREAK SHARP EDGES MACHINED SURFACES 125 ✓ ALL DIMENSIONS IN INCHES |
| Aluminum-6061 | | |
| EST WEIGHT | | 0.4 oz |
| SCALE | | 1:1 |
| | | P lanet F inder S pectrograph |
| | | Push Block |
| DWN | CRANE | 6/14/2007 |
| APVD | | |
| | BY | DATE |
| SHEET | DRAWING NUMBER | |
| A | PFS04044 | |
| | SHT 1 | REV |
| | OF 1 | |

2

1