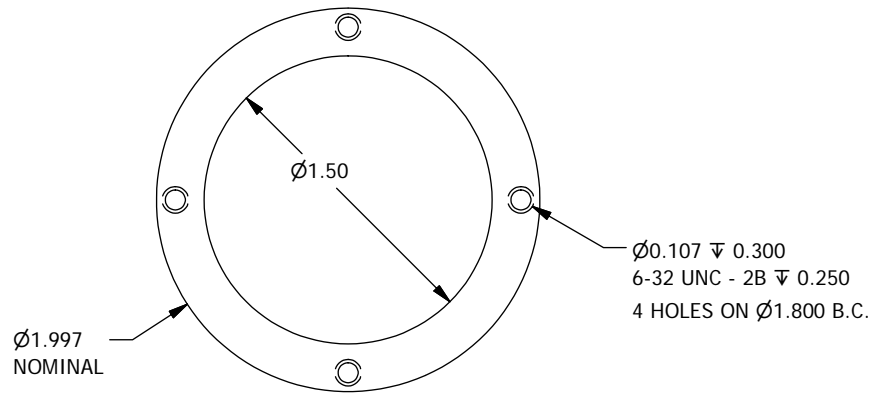


SECTION A-A



NOTES

1. Anodize black
2. Adjust O.D. on this part and/or I.D. on PFS04040 for a free fit with 0.002-0.004 clearance

1	1	PFS04041
ITEM	QTY	DESCRIPTION
Bill of Material		
THE OBSERVATORIES OF THE CARNEGIE INSTITUTION OF WASHINGTON 813 Santa Barbara Street Pasadena, CA 91101		
MATERIAL		UNLESS OTHERWISE SPECIFIED FRACTIONAL DECIMAL ANGULAR +/- 1/32 .XX +/- 0.01 +/- 0.1 DEG .XXX +/- 0.002 GOAL .XXX +/- 0.005 REQD BREAK SHARP EDGES MACHINED SURFACES 125 ✓ ALL DIMENSIONS IN INCHES
Aluminum-6061		
EST WEIGHT		5.4 oz
SCALE		1:1
		P lanet F nder S pectrograph
		Guider Mount Tube 2
DWN	CRANE	7/6/2009
APVD		
	BY	DATE
SHEET	DRAWING NUMBER	
A	PFS04041	
	SHT 1	REV
	OF 1	1