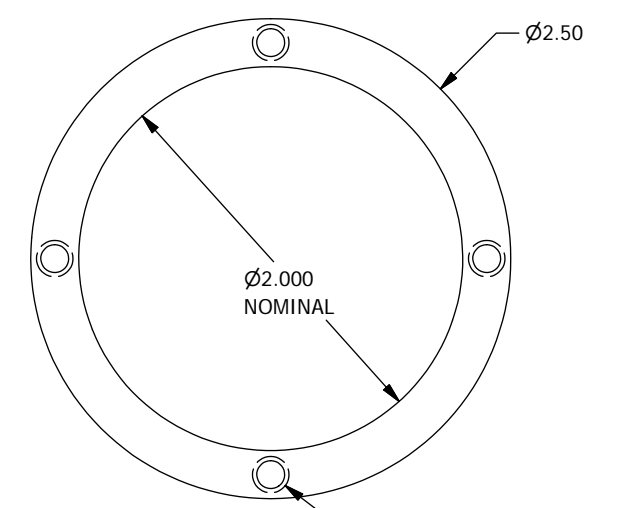
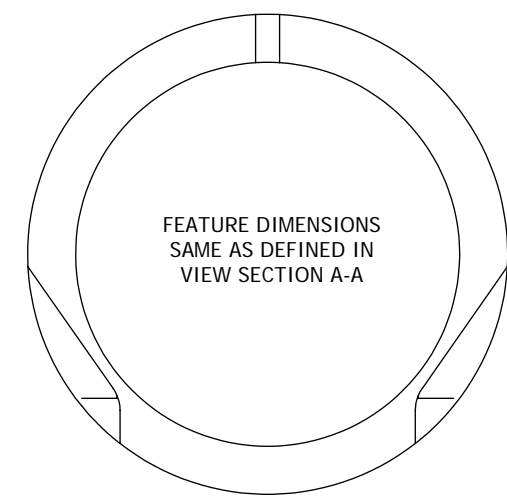


SECTION A-A



Ø0.147 ± 0.500
10-24 UNC - 2B ± 0.400
4 HOLES ON Ø2.250 B.C.



VIEW B-B

NOTES

1. Anodize black
2. Adjust I.D. on this part and/or O.D. on PFS04041 for a free fit with 0.002-0.004 clearance

1	1	PFS04040
ITEM	QTY	DESCRIPTION
Bill of Material		
THE OBSERVATORIES OF THE CARNEGIE INSTITUTION OF WASHINGTON 813 Santa Barbara Street Pasadena, CA 91101		
MATERIAL		UNLESS OTHERWISE SPECIFIED
Aluminum-6061		FRACTIONAL DECIMAL ANGULAR
		+/- 1/32 .XX +/- 0.01 +/- 0.1 DEG
EST WEIGHT		.XXX +/- 0.002 GOAL
9.0 oz		.XXX +/- 0.005 REQD
SCALE		BREAK SHARP EDGES MACHINED SURFACES 125
1:1		ALL DIMENSIONS IN INCHES
		P lanet F nder S pectrograph
		Guider Mount Tube 1
DWN	CRANE	6/13/2007
APVD	BY	DATE
SHEET B		DRAWING NUMBER PFS04040
		SHT 1 OF 1
		REV