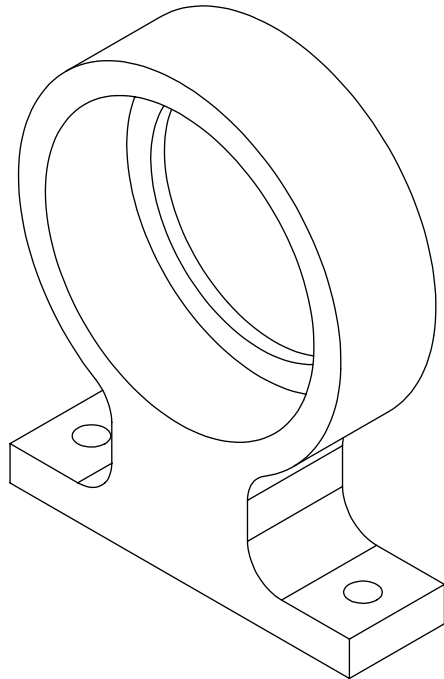
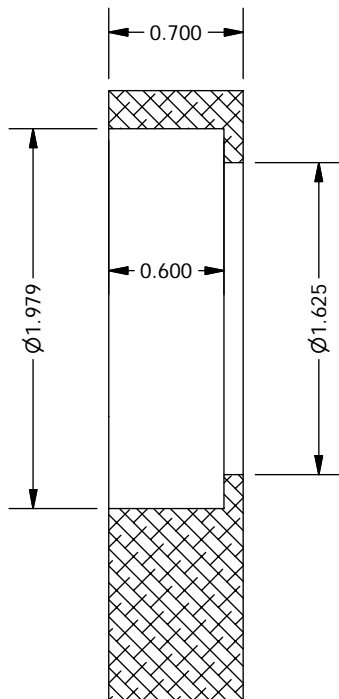
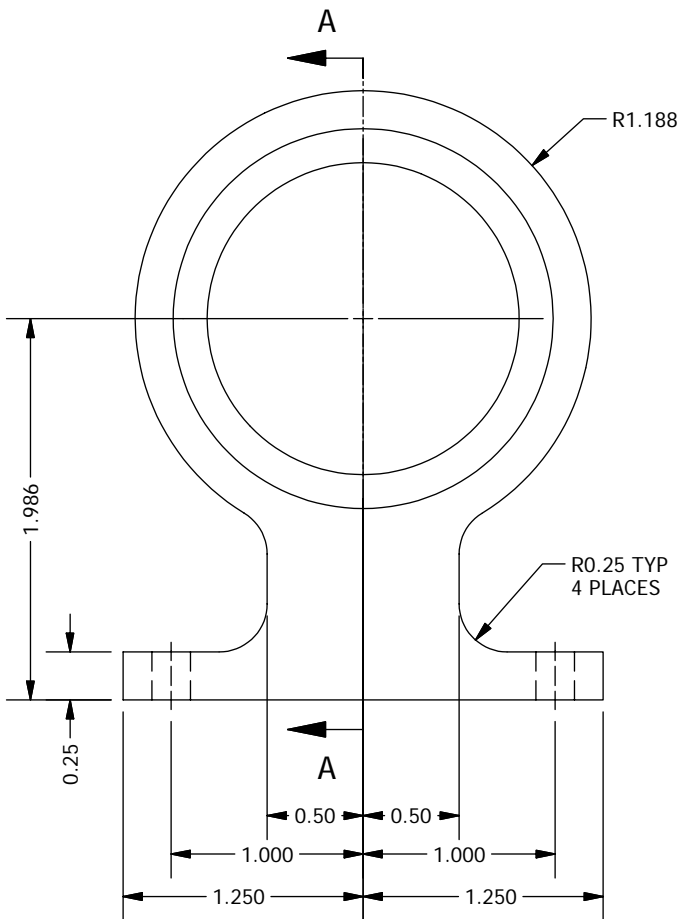
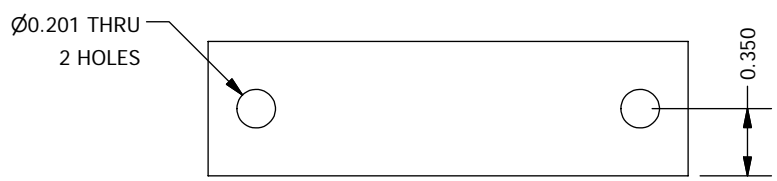


2

1



SECTION A-A



NOTES

1. Anodize black

1	1	PFS04039
ITEM	QTY	DESCRIPTION
Bill of Material		

<p align="center">THE OBSERVATORIES OF THE CARNEGIE INSTITUTION OF WASHINGTON 813 Santa Barbara Street Pasadena, CA 91101</p>					
MATERIAL		UNLESS OTHERWISE SPECIFIED			
Aluminum-6061		FRACTIONAL	DECIMAL	ANGULAR	
		+/- 1/32	.XX +/- 0.01	+/- 0.1 DEG	
EST WEIGHT		.XXX +/- 0.002 GOAL			
3.0 oz		.XXX +/- 0.005 REQD			
SCALE		BREAK SHARP EDGES MACHINED SURFACES 125			
1:1		ALL DIMENSIONS IN INCHES			
P lanet F inder S pectrograph			Window Mount		
DWN	CRANE	6/28/2007			
APVD			SHEET	DRAWING NUMBER	SHT 1
BY		DATE	A	PFS04039	OF 1
					REV

2

1