

2

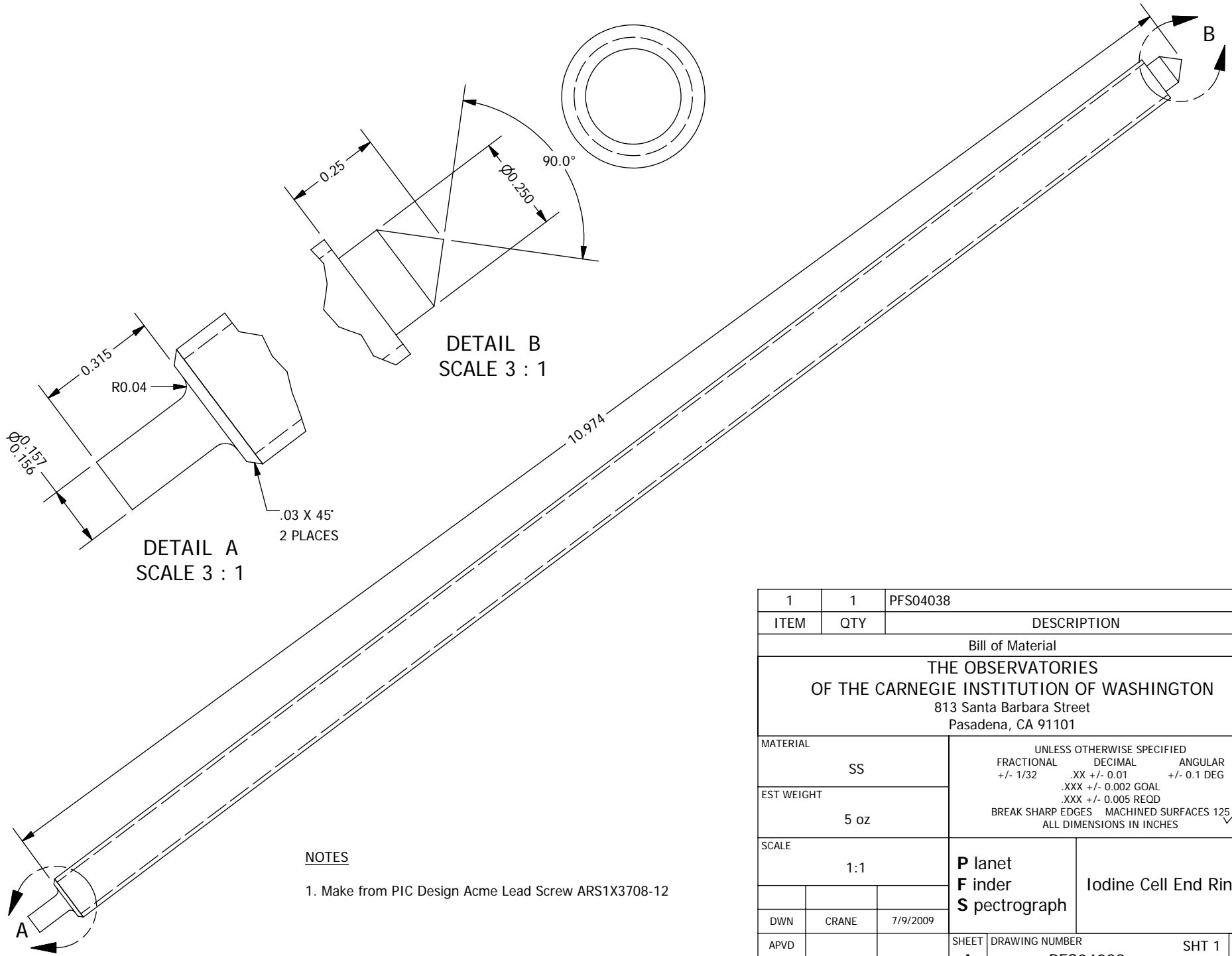
1

B

B

A

A



DETAIL B  
SCALE 3 : 1

DETAIL A  
SCALE 3 : 1

NOTES

- 1. Make from PIC Design Acme Lead Screw ARS1X3708-12

1	1	PFS04038
ITEM	QTY	DESCRIPTION
Bill of Material		
<b>THE OBSERVATORIES OF THE CARNEGIE INSTITUTION OF WASHINGTON</b> 813 Santa Barbara Street Pasadena, CA 91101		
MATERIAL	SS	UNLESS OTHERWISE SPECIFIED FRACTIONAL    DECIMAL    ANGULAR +/- 1/32    .XX +/- 0.01    +/- 0.1 DEG .XXX +/- 0.002 GOAL .XXX +/- 0.005 REQD BREAK SHARP EDGES    MACHINED SURFACES 125 $\sqrt{\text{ }}$ ALL DIMENSIONS IN INCHES
EST WEIGHT	5 oz	
SCALE	1:1	<b>P lanet F inder S pectrograph</b> Iodine Cell End Ring 2
DWN	CRANE	
APVD		
	BY	DATE
SHEET	DRAWING NUMBER	SHT 1    REV
A	PFS04038	OF 1    1

2

1

