

2

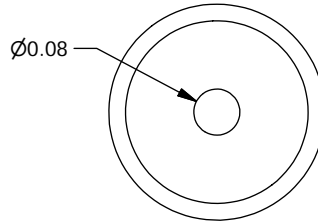
1

B

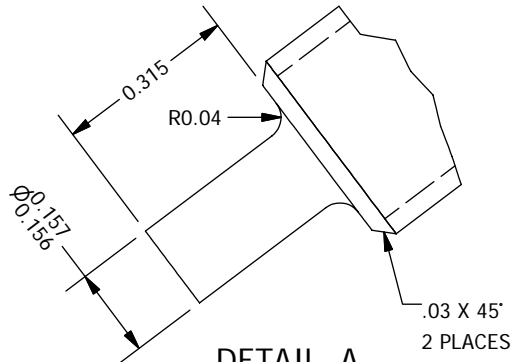
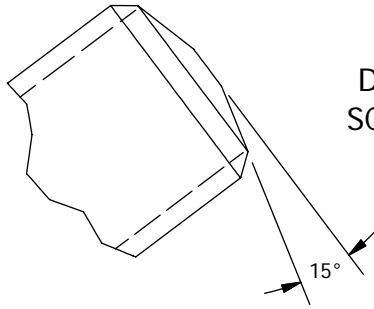
B

A

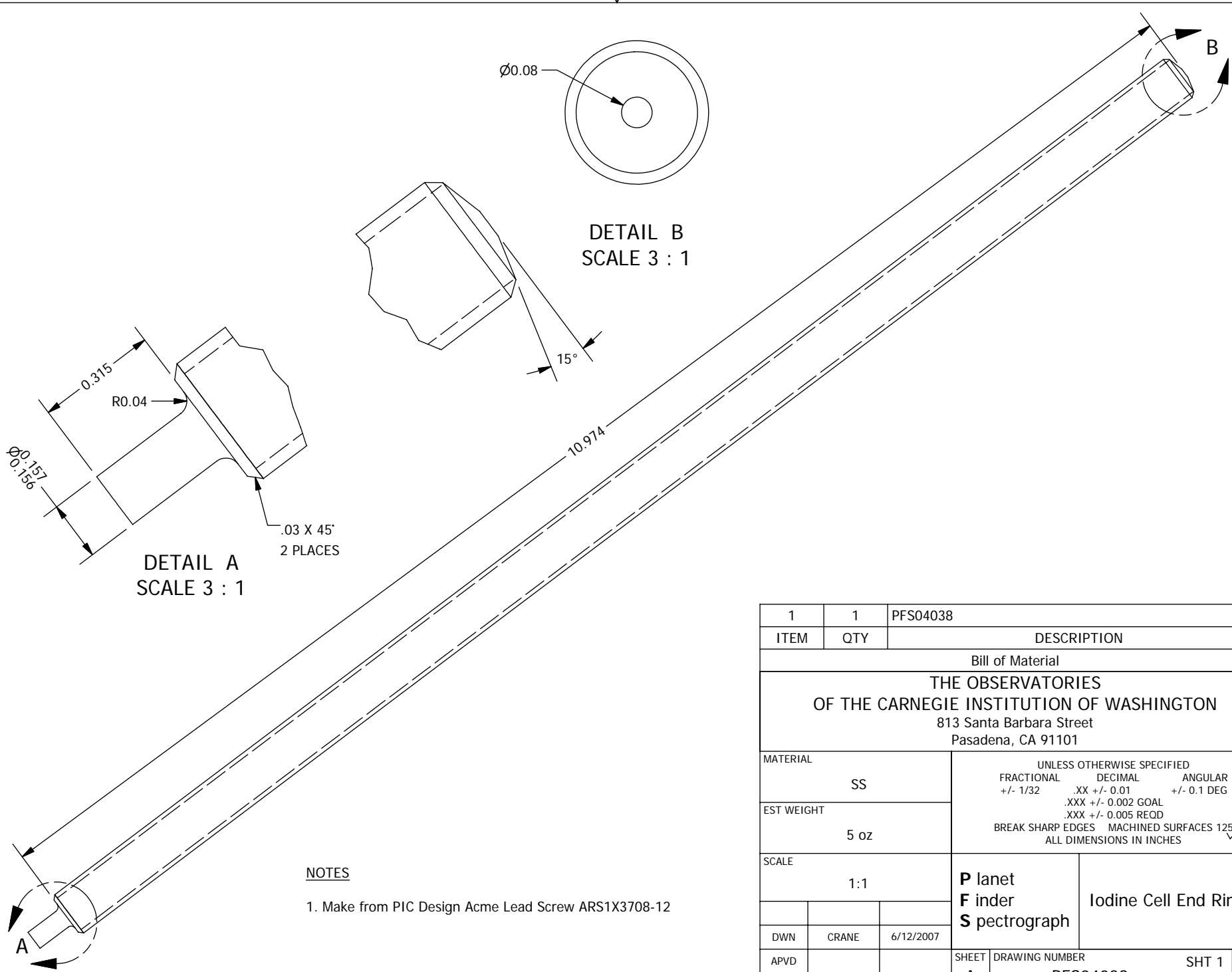
A



DETAIL B  
SCALE 3 : 1



DETAIL A  
SCALE 3 : 1



NOTES

1. Make from PIC Design Acme Lead Screw ARS1X3708-12

1	1	PFS04038
ITEM	QTY	DESCRIPTION
Bill of Material		
<b>THE OBSERVATORIES OF THE CARNEGIE INSTITUTION OF WASHINGTON</b> 813 Santa Barbara Street Pasadena, CA 91101		
MATERIAL		UNLESS OTHERWISE SPECIFIED FRACTIONAL    DECIMAL    ANGULAR +/- 1/32    .XX +/- 0.01    +/- 0.1 DEG .XXX +/- 0.002 GOAL .XXX +/- 0.005 REQD BREAK SHARP EDGES    MACHINED SURFACES 125 $\sqrt{\hspace{1cm}}$ ALL DIMENSIONS IN INCHES
SS		
EST WEIGHT		5 oz
SCALE		1:1
		<b>P lanet F inder S pectrograph</b>
		Iodine Cell End Ring 2
DWN	CRANE	6/12/2007
APVD		
	BY	DATE
SHEET	DRAWING NUMBER	
A	PFS04038	
	SHT 1	REV
	OF 1	

2

1

