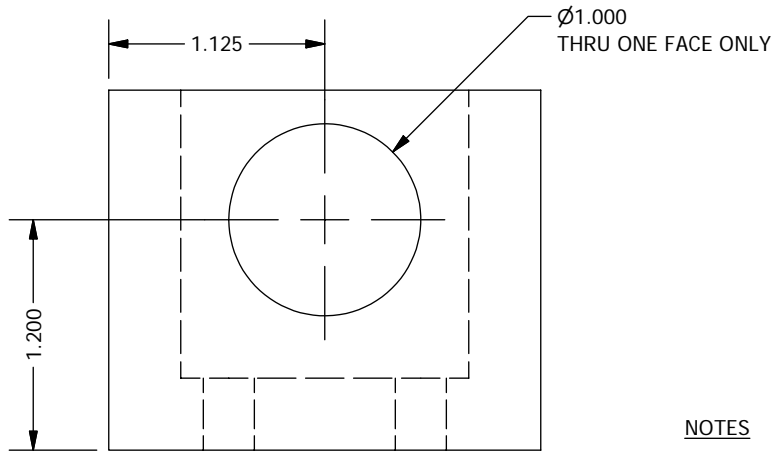


SECTION A-A



- NOTES**
1. Anodize black

1	1	PFS04021
ITEM	QTY	DESCRIPTION
Bill of Material		
THE OBSERVATORIES OF THE CARNEGIE INSTITUTION OF WASHINGTON 813 Santa Barbara Street Pasadena, CA 91101		
MATERIAL		UNLESS OTHERWISE SPECIFIED FRACTIONAL DECIMAL ANGULAR +/- 1/32 .XX +/- 0.01 +/- 0.1 DEG .XXX +/- 0.002 GOAL .XXX +/- 0.005 REQD BREAK SHARP EDGES MACHINED SURFACES 125 ✓ ALL DIMENSIONS IN INCHES
Aluminum-6061		
EST WEIGHT		P lanet F nder S pectrograph Pre Slit Support Spring Interface
9.2 oz		
SCALE		SHEET DRAWING NUMBER A PFS04021
1:1		
DWN	CRANE	4/17/2008
APVD		
	BY	DATE
		SHT 1 OF 1
		REV 1