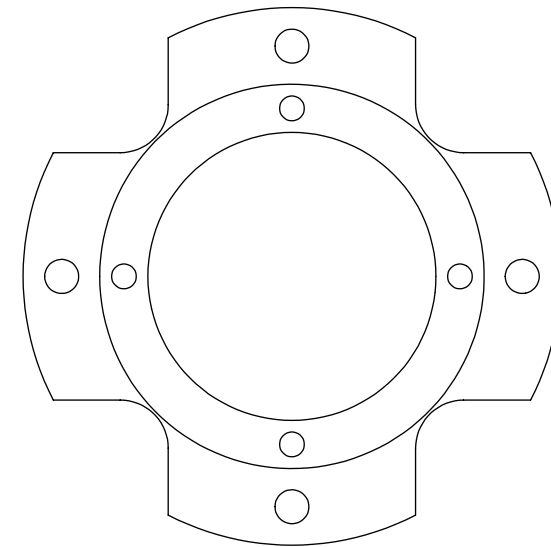


SECTION A-A



NOTES

1. Test fit to parts PFS04002 and PFS04020
2. Anodize black

1	1	PFS04017
ITEM	QTY	DESCRIPTION
Bill of Material		

THE OBSERVATORIES
 OF THE CARNEGIE INSTITUTION OF WASHINGTON
 813 Santa Barbara Street
 Pasadena, CA 91101

MATERIAL		UNLESS OTHERWISE SPECIFIED FRACTIONAL DECIMAL ANGULAR +/- 1/32 .XX +/- 0.01 +/- 0.1 DEG .XXX +/- 0.002 GOAL .XXX +/- 0.005 REQD BREAK SHARP EDGES MACHINED SURFACES 125 ✓ ALL DIMENSIONS IN INCHES		
Aluminum-6061				
EST WEIGHT		2.0 oz		
SCALE		1:1		
		P lanet F inder S pectrograph		Focal Reducer Tube Flange
DWN	CRANE	6/12/2007		
APVD				
BY		DATE		
SHEET	DRAWING NUMBER		SHT 1	REV
A	PFS04017		OF 1	