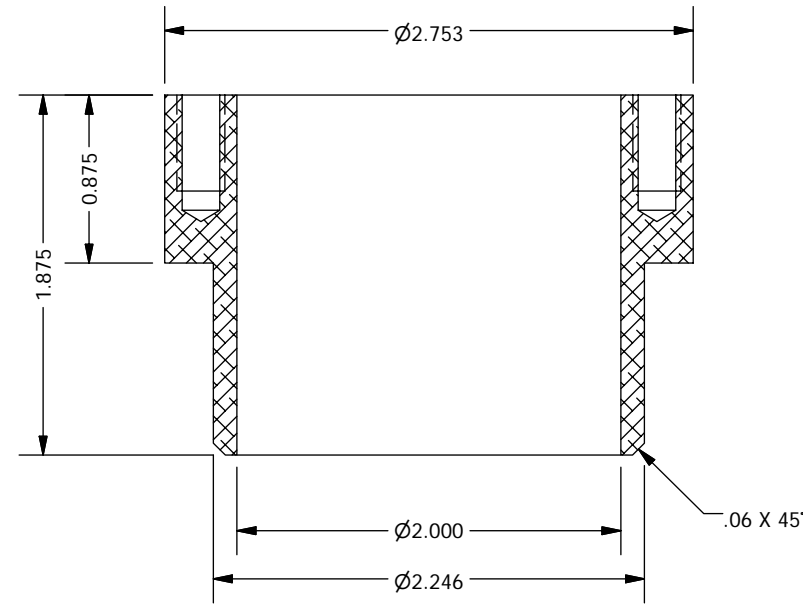


NOTES

- 1. Anodize black
- 2. Parts get epoxied to G10 tubes (PFS04015). Nominal epoxy layer thickness is 0.004. Adjust Ø2.246 dimension as necessary after measurement of actual tube I.D.

Ø0.201 ± 0.000
 1/4-20 UNC - 2B ± 0.0005
 4 HOLES



.06 X 45°

1	5	PFS04016
ITEM	QTY	DESCRIPTION
Bill of Material		
THE OBSERVATORIES OF THE CARNEGIE INSTITUTION OF WASHINGTON 813 Santa Barbara Street Pasadena, CA 91101		
MATERIAL		UNLESS OTHERWISE SPECIFIED FRACTIONAL DECIMAL ANGULAR +/- 1/32 .XX +/- 0.01 +/- 0.1 DEG .XXX +/- 0.002 GOAL .XXX +/- 0.005 REQD BREAK SHARP EDGES MACHINED SURFACES 125 ✓ ALL DIMENSIONS IN INCHES
Aluminum-6061		
EST WEIGHT		5.0 oz
SCALE		1:1
		P lanet F nder S pectrograph
		Pre Slit Support Arm Cap 1
DWN	CRANE	6/12/2007
APVD		
	BY	DATE
SHEET	DRAWING NUMBER	
A	PFS04016	
	SHT 1	REV
	OF 1	