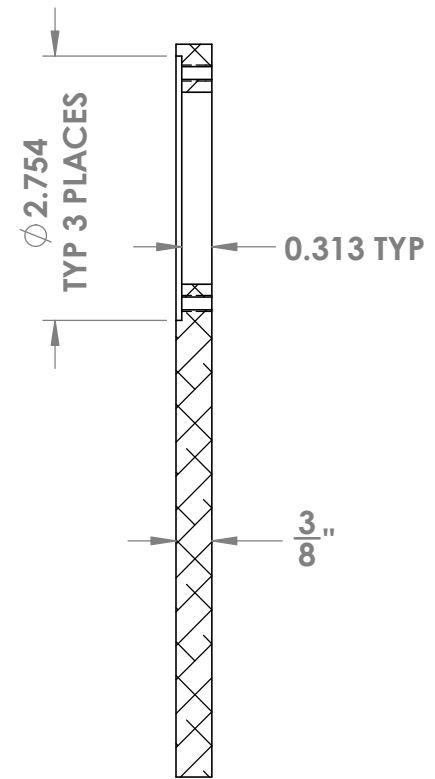
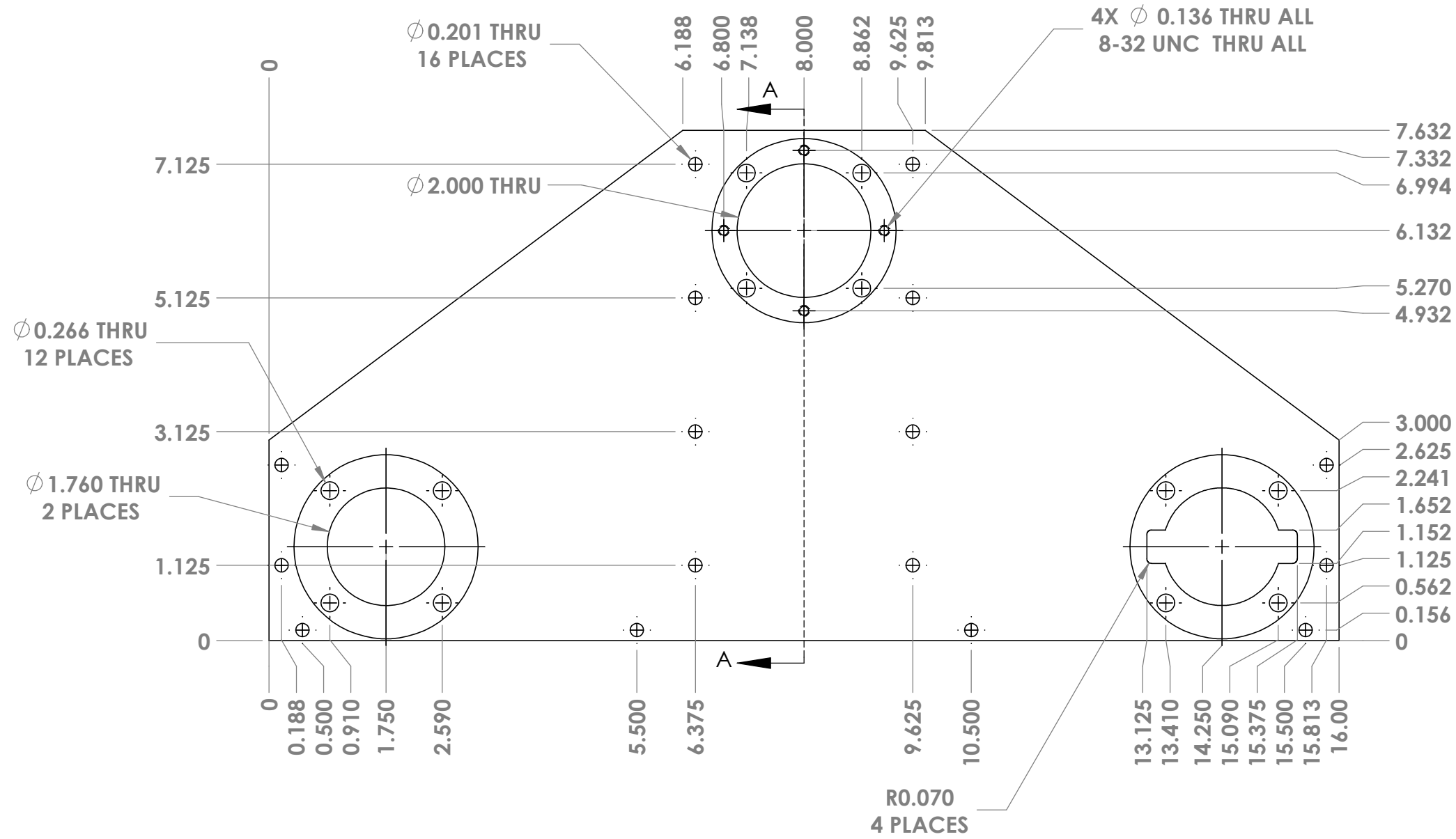


4

3

2

1



SECTION A-A

NOTES

1. Anodize black
2. Check fit with PFS04095

ITEM	PART NUMBER	DESCRIPTION	QTY.
1	PFS04002	Pre Slit Assembly Anchor Upright	1
<b>THE OBSERVATORIES OF THE CARNEGIE INSTITUTION FOR SCIENCE</b> 813 Santa Barbara Street Pasadena, CA 91101			
MATERIAL	Al 6061-T6	UNLESS OTHERWISE SPECIFIED FRACTIONAL DECIMAL ANGULAR ± 1/32 .XX ± 0.01 ± 0.1 DEG	
EST WEIGHT	3.02 lb	.XXX ± 0.002 GOAL .XXX ± 0.005 REQD BREAK SHARP EDGES. MACHINED SURFACES 125/ ALL DIMENSIONS IN INCHES	
SCALE	1:2	Planet Finder Spectrograph	Pre Slit Assembly Anchor Upright
DRWN	CRANE	5/24/2017	SHEET DRAWING
APVD			B PFS04002 SHT 1 OF 1 REV 1

4

3

2

1