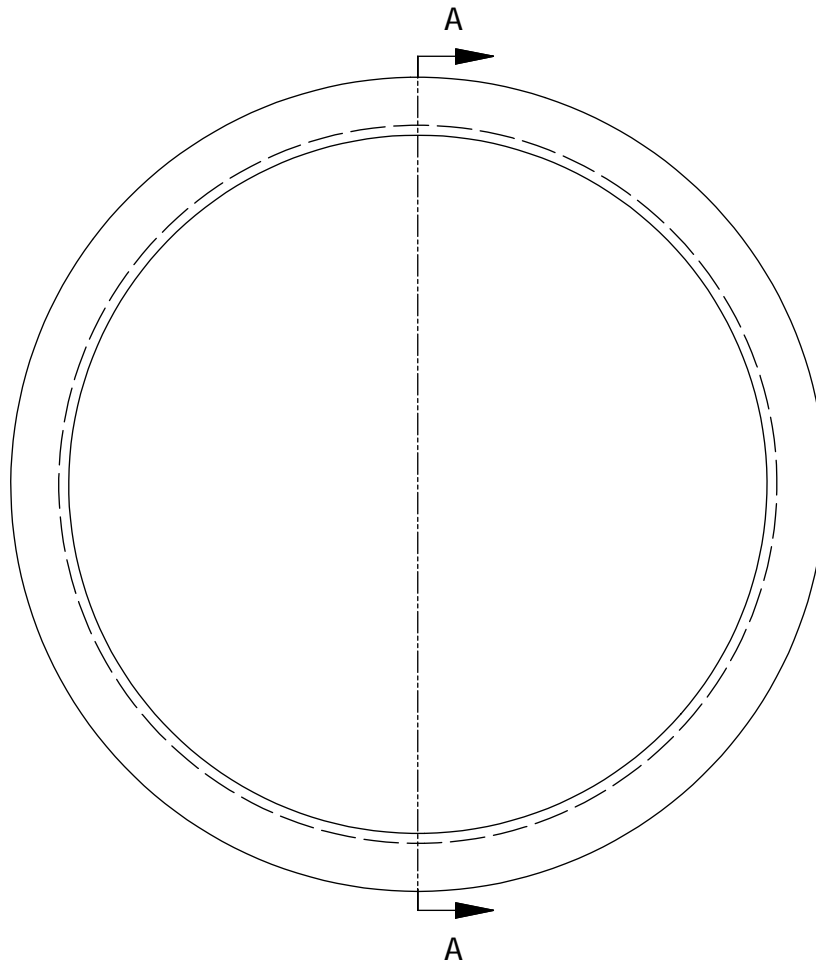


SECTION A-A
SCALE 1 : 1

NOTES

1. Manufactured by Harold Johnson Optical Laboratories
2. Apply AR coating to both surfaces
3. See ZEMAX drawings for more detailed tolerance information



THE OBSERVATORIES
OF THE CARNEGIE INSTITUTION OF WASHINGTON
813 Santa Barbara Street
Pasadena, CA 91101

MATERIAL		UNLESS OTHERWISE SPECIFIED		
Silica		FRACTIONAL	DECIMAL	ANGULAR
EST WEIGHT		+/- 1/16	.XX +/- 0.02	+/- 1/4 DEG
0.51 lb		.XXX +/- 0.004 GOAL		
SCALE		.XXX +/- 0.008 REQD		
1:1		BREAK SHARP EDGES MACHINED SURFACES 125 $\sqrt{\text{in}}$		
		ALL DIMENSIONS IN INCHES		
		P lanet F nder S pectrograph		Lens PFS6B
DWN	CRANE	12/14/2005	SIZE	DRAWING NUMBER
APVD			A	PFS01007
	BY	DATE	SHT 1	REV
			OF 1	