

NOTES

1. Not shown: fluid transfer cables for temperature control system; wiring

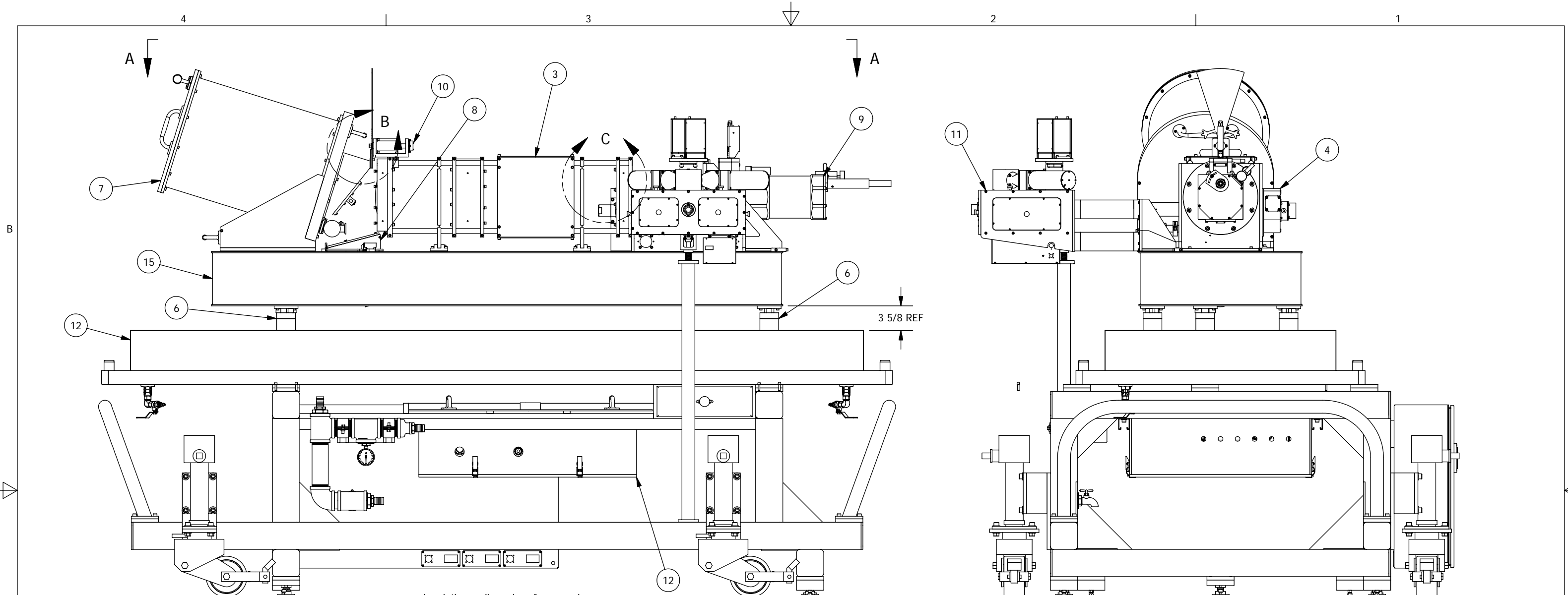
57 7/16 ± 1/16
TO
TELESCOPE
OPTICAL
AXIS

ITEM	QTY	DESCRIPTION	PART NUMBER	ITEM	QTY	DESCRIPTION	PART NUMBER	ITEM	QTY	DESCRIPTION	PART NUMBER
15	1	Invar Optical Table	PFS02001								
14	1	Pre Slit Support Assembly	PFS00033	9	1	Camera Mount and Slit Assembly	PFS00019				
13	1	Telescope Guider Housing Cover Assembly	PFS00032	8	1	PMT System Assembly	PFS00012	4	1	Camera Focus Actuator Assembly	PFS00002
12	1	Insulation System Assembly	PFS00025	7	1	Prism/Grating Mount Assembly	PFS00011	3	1	Camera System Assembly	PFS00001
11	1	Pre Slit Assembly	PFS00021	6	3	Table Support Column Assembly	PFS00005	2	1	Hoffman CTD24428LG two door enclosure	-
10	1	Hartmann Mask Assembly	PFS00020	5	1	Instrument Cart Assembly	PFS00003	1	1	PFS Optics	-
Bill of Material				Bill of Material				Bill of Material			

**THE OBSERVATORIES
OF THE CARNEGIE INSTITUTION OF WASHINGTON**
813 Santa Barbara Street
Pasadena, CA 91101

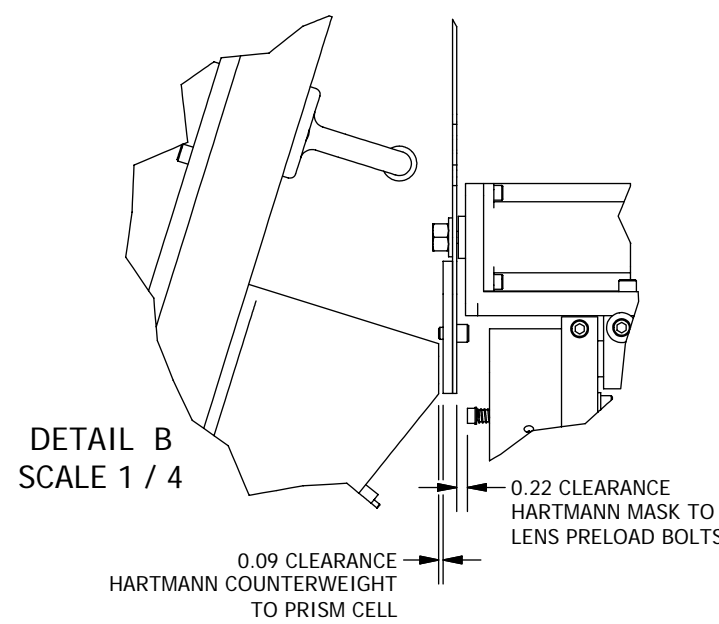
MATERIAL	UNLESS OTHERWISE SPECIFIED FRACTIONAL DECIMAL ANGULAR +/- 1/32 .XX +/- 0.01 +/- 0.1 DEG .XXX +/- 0.002 GOAL .XXX +/- 0.005 REQD BREAK SHARP EDGES MACHINED SURFACES 125		
EST WEIGHT	3200 lbs		
SCALE	1:14		
DWN	CRANE	6/1/2009	
APVD	BY	DATE	
SHEET B		DRAWING NUMBER	SHT 1 OF 3
		PFS00050	REV

Planet Finder Spectrograph Assembly

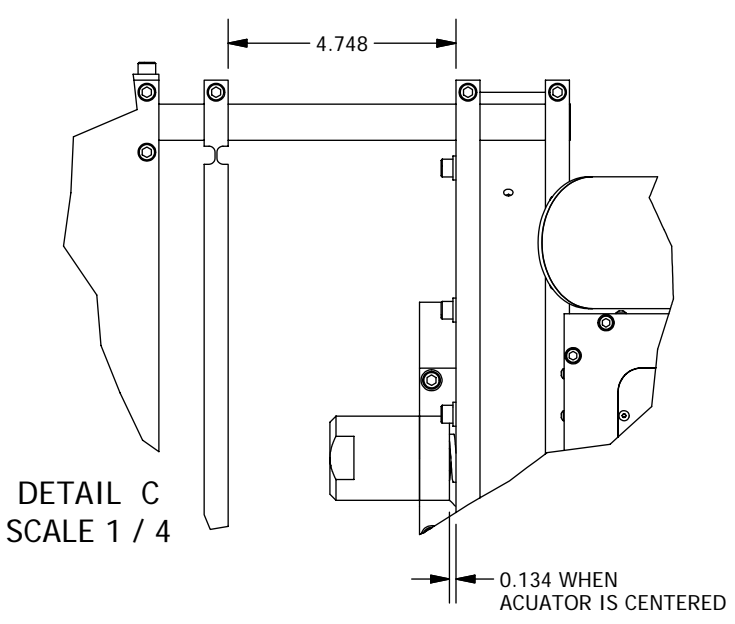


Insulation walls and roof removed.

Insulation walls and roof removed.

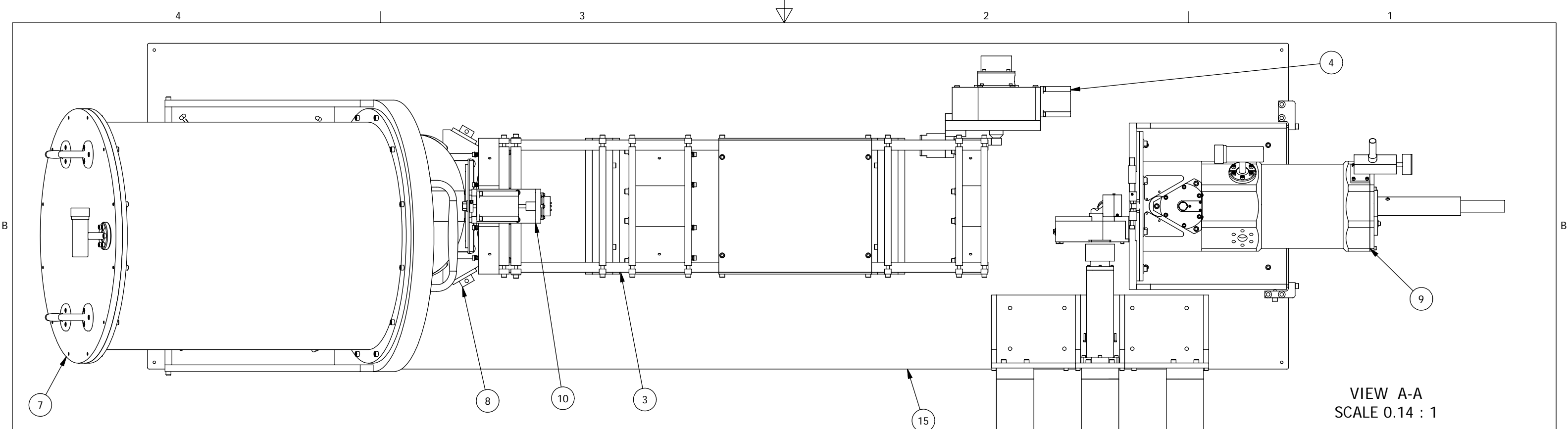


DETAIL B
SCALE 1 / 4



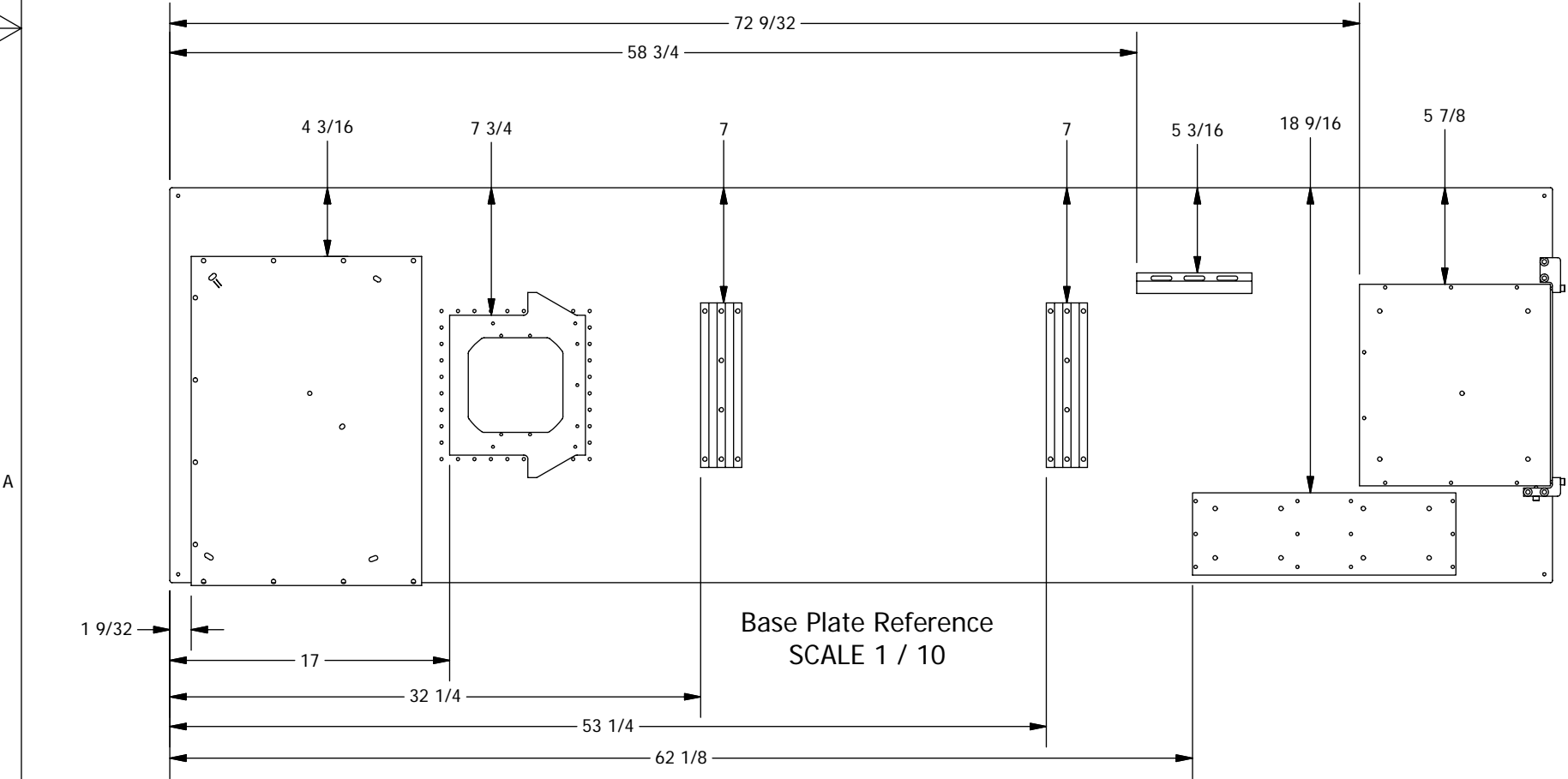
DETAIL C
SCALE 1 / 4

THE OBSERVATORIES OF THE CARNEGIE INSTITUTION OF WASHINGTON 813 Santa Barbara Street Pasadena, CA 91101					
MATERIAL		UNLESS OTHERWISE SPECIFIED FRACTIONAL DECIMAL ANGULAR +/- 1/32 .XX +/- 0.01 +/- 0.1 DEG			
EST WEIGHT		.XXX +/- 0.002 GOAL .XXX +/- 0.005 REQD BREAK SHARP EDGES MACHINED SURFACES 125			
SCALE		1:14 ALL DIMENSIONS IN INCHES			
		P lanet F inder S pectrograph		Planet Finder Spectrograph Assembly	
DWN	CRANE	6/1/2009		SHEET	REV
APVD	BY	DATE	B	DRAWING NUMBER	SHT 2 OF 3
				PFS00050	

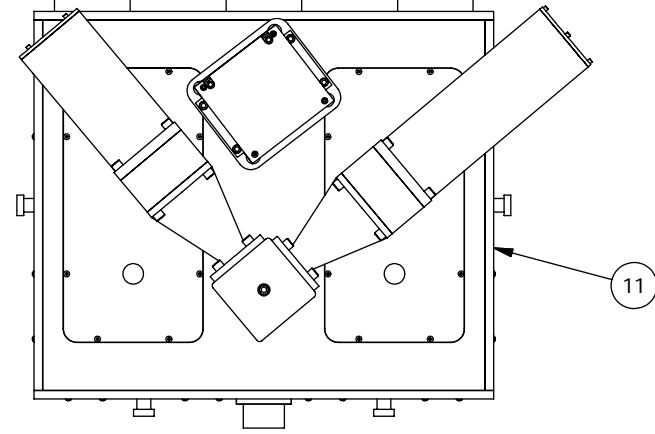


VIEW A-A
SCALE 0.14 : 1

Instrument cart, insulation, temperature control system not shown.



Base Plate Reference
SCALE 1 / 10



THE OBSERVATORIES OF THE CARNEGIE INSTITUTION OF WASHINGTON 813 Santa Barbara Street Pasadena, CA 91101				
MATERIAL		UNLESS OTHERWISE SPECIFIED FRACTIONAL DECIMAL ANGULAR +/- 1/32 .XX +/- 0.01 +/- 0.1 DEG		
EST WEIGHT		.XXX +/- 0.002 GOAL .XXX +/- 0.005 REQD BREAK SHARP EDGES MACHINED SURFACES 125 ✓ ALL DIMENSIONS IN INCHES		
SCALE		P lanet F inder S pectrograph		Planet Finder Spectrograph Assembly
DWN	CRANE	6/1/2009		
APVD	BY	DATE	SHEET B	DRAWING NUMBER PFS00050
			SHT 3 OF 3	REV