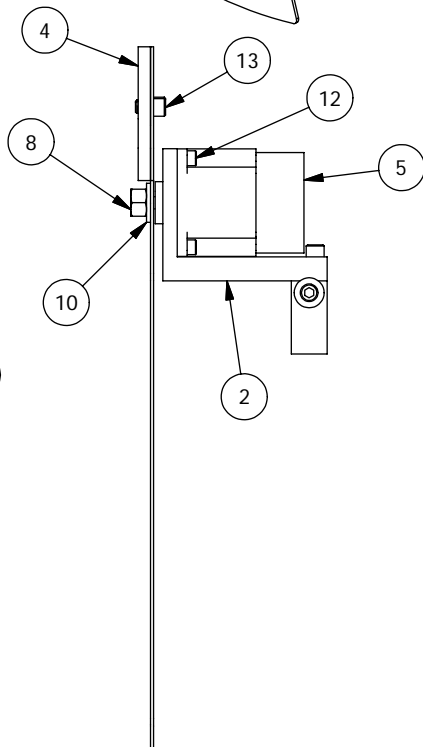
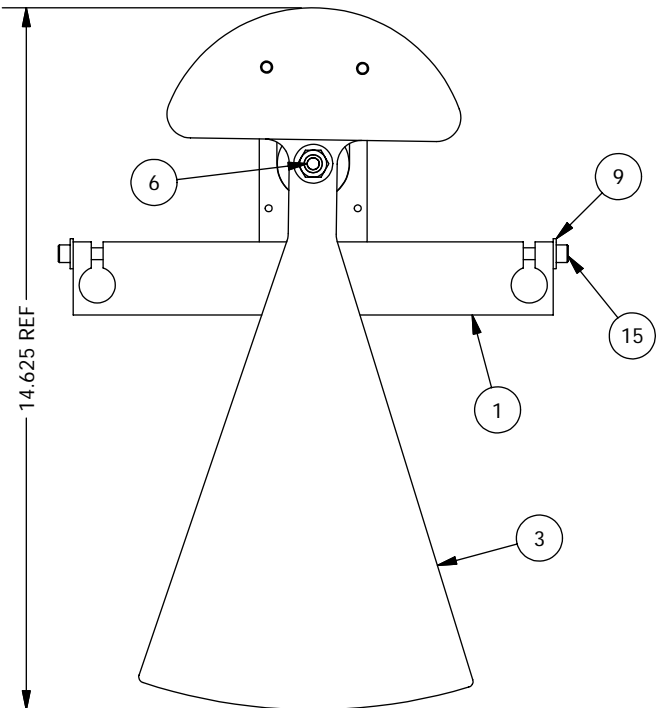
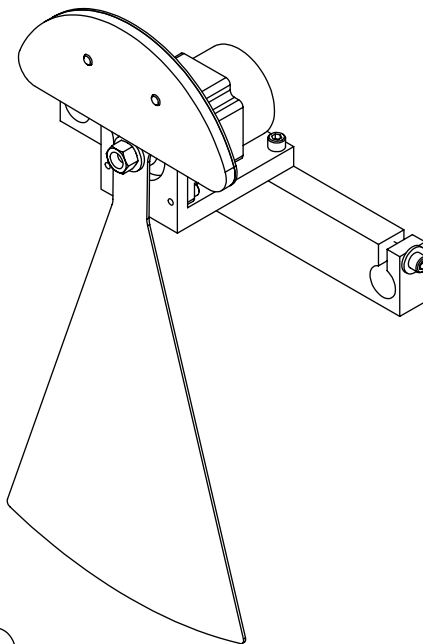
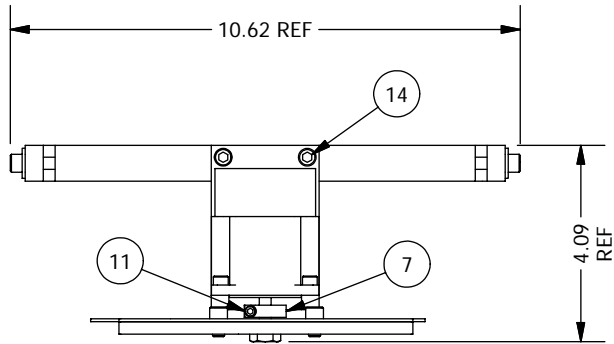


2

1



15	2	SHCS 1/4-20 UNCx1	-
14	2	SHCS 1/4-20 UNCx0.875	-
13	2	SHCS 1/4-20 UNCx0.375	-
12	4	SHCS 10-24 UNCx0.5	-
11	1	SHCS 6-32 UNCx0.375	-
10	1	Washer, ANSI A, Normal 0.375	-
9	2	Washer, ANSI A, Normal 0.25	-
8	1	Hex Nut 3/8-16 UNC	-
7	1	Pic clamp L4-3	-
6	1	Pic Design K2-13 Gear Hub	-
5	1	Superior Electric motor KML060F03C4	-
4	1	Hartmann Mask Counterweight	PFS07004
3	1	Hartmann Mask Leaf	PFS07003
2	1	Hartmann Mask Motor Mount	PFS07002
1	1	Hartmann Mask System Flange	PFS07001
ITEM	QTY	DESCRIPTION	PART NUMBER

Bill of Material

**THE OBSERVATORIES
OF THE CARNEGIE INSTITUTION OF WASHINGTON**
813 Santa Barbara Street
Pasadena, CA 91101

MATERIAL	UNLESS OTHERWISE SPECIFIED FRACTIONAL .XX +/- 0.01 ANGULAR +/- 0.1 DEG +/- 1/32 .XXX +/- 0.002 GOAL MACHINED SURFACES 125		
EST WEIGHT	4.0 lb		
SCALE	1:4		P lanet F inder S pectrograph
DWN	CRANE	2/28/2007	
APVD	BY DATE		Hartmann Mask Assembly
SHEET	DRAWING NUMBER		
A	PFS00020		SHT 1 OF 1
REV	1		

2

1