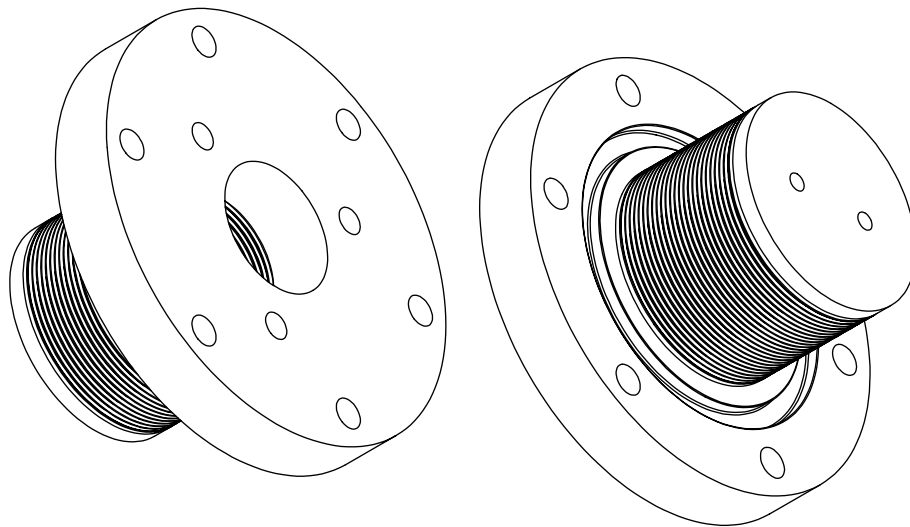


SECTION A-A



3	1	CCD Bellows Rear Attachment	PFS15019
2	1	CCD Bellows	PFS15018
1	1	CCD Bellows Front Attachment	PFS15017
ITEM	QTY	DESCRIPTION	PART NUMBER

Bill of Material

THE OBSERVATORIES
OF THE CARNEGIE INSTITUTION OF WASHINGTON
813 Santa Barbara Street
Pasadena, CA 91101

MATERIAL		UNLESS OTHERWISE SPECIFIED		
347SS		FRACTIONAL	DECIMAL	ANGULAR
		+/- 1/32	.XX +/- 0.01	+/- 0.1 DEG
EST WEIGHT		.XXX +/- 0.002 GOAL		
9.0 oz		.XXX +/- 0.005 REQD		
		BREAK SHARP EDGES MACHINED SURFACES 125 ✓		
		ALL DIMENSIONS IN INCHES		
SCALE		1:1		P lanet F inder S pectrograph
DWN	CRANE	4/16/2007		CCD Bellows Assembly
APVD				
	BY	DATE	SHEET A	DRAWING NUMBER PFS00018
				SHT 1 OF 1
				REV 1