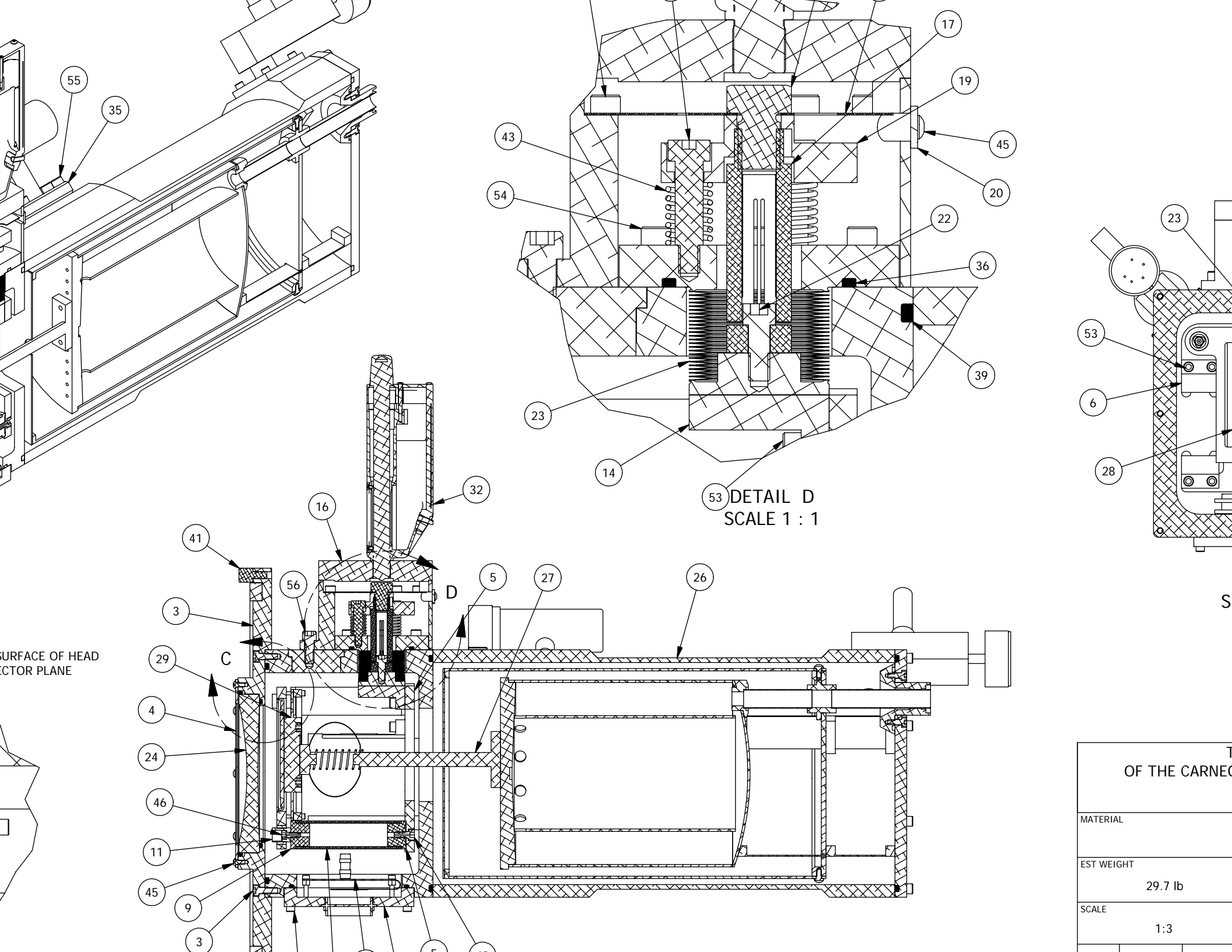


	-	37	1	Parker O-ring 2-154	-				
	-	36	1	Parker O-ring 2-128	-	18	1	CCD Psychedelic Flexure	PFS15021
	-	35	2	KF16 Bulkhead clamp	-	17	1	CCD 2-axis Piston Flexure	PFS15020
	-	34	1	NW16 Centering Ring	-	16	1	CCD Actuator Mount	PFS15016
	-	33	1	GP-275203 Convectron Vacuum Gauge	-	15	1	CCD Psychedelic Flexure Mount	PFS15015
	-	32	1	Newport actuator LTA-HL	-	14	1	CCD Bellows Flange	PFS15014
	-	31	1	HCC hermetic connector	-	13	1	CCD Header PCB Brace	PFS15013
	-	30	1	CCD Pre-Amp	-	12	3	CCD Platten Adj. Post Receiver	PFS15012
	-	29	1	STA0500A Header PCB	-	11	3	CCD Platten Adjustment Post	PFS15011
	-	28	1	STA0500A Bi Assembly	-	10	1	CCD STA0500A Platten	PFS15010
	-	27	1	CCD cold finger	-	9	3	CCD Insulating Standoff Top Cap	PFS15009
25	-	26	1	IR Labs ND-5 dewar mod. for PFS	-	8	3	CCD Insulating Standoff Bottom Cap	PFS15008
	-	25	1	CCD Head Plug	-	7	3	CCD Insulating Standoff Tube	PFS15007
3	-	24	1	Lens PFS6B	PFS01007	6	4	CCD Lateral Flexure	PFS15006
	-	23	1	CCD Bellows Assembly	PFS00018	5	1	CCD Flexure Mount Base Plate	PFS15005
	-	22	1	Custom 10-32 x 1/2 SHCS	PFS15030	4	1	Flattener Retaining Ring	PFS15004
	-	21	1	Dewar Axial Shim 0.329 thk	PFS15027	3	1	Flattener Mounting Plate	PFS15003
	-	20	1	Dewar Flange Access Cover	PFS15022	2	1	CCD Head Side Plate	PFS15023

OF THE CARNEC	
MATERIAL	
EST WEIGHT	
29.7 lb (with no IN2)	
SCALE	
1:3	



T OF THE CARNEC	
MATERIAL	
EST WEIGHT	29.7 lb
SCALE	1:3