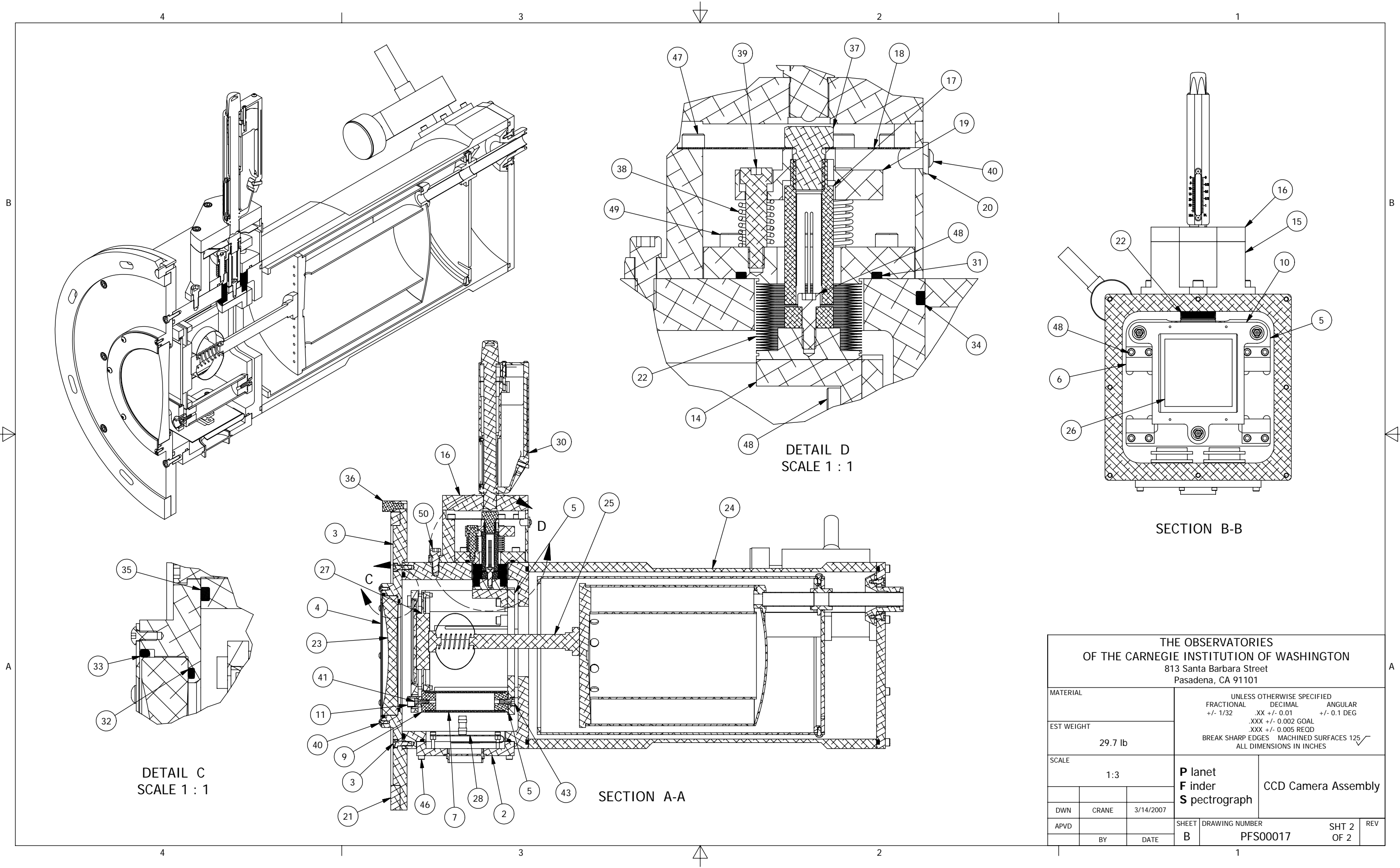


50	3	SHCS 1/4-20 UNCx0.625	-	33	2	Parker O-ring 2-156	-				
49	12	SHCS 8-32 UNCx0.625	-	32	1	Parker O-ring 2-154	-	16	1	CCD Actuator Mount	PFS15016
48	25	SHCS 8-32 UNCx0.5	-	31	1	Parker O-ring 2-128	-	15	1	CCD Psychedelic Flexure Mount	PFS15015
47	6	SHCS 8-32 UNCx0.25	-	30	1	Newport actuator LTA-HL	-	14	1	CCD Bellows Flange	PFS15014
46	4	SHCS 6-32 UNCx0.5	-	29	1	HCC hermetic connector	-	13	1	CCD Header PCB Brace	PFS15013
45	4	SHCS 4-40x0.141 UNC	-	28	1	CCD Pre-Amp	-	12	3	CCD Platten Adj. Post Receiver	PFS15012
44	4	SHCS 2-56 UNCx1/4	-	27	1	STA0500A Header PCB	-	11	3	CCD Platten Adjustment Post	PFS15011
43	3	SHCS 8-32x0.625 UNC vented	-	26	1	STA0500A Bi Assembly	-	10	1	CCD STA0500A Platten	PFS15010
42	8	SHCS 8-32x0.5 UNC vented	-	25	1	CCD cold finger	-	9	3	CCD Insulating Standoff Top Cap	PFS15009
41	5	SHCS 6-32x0.375 UNC vented	-	24	1	IR Labs ND-5 dewar mod. for PFS	-	8	3	CCD Insulating Standoff Bottom Cap	PFS15008
40	10	Button Head, Hex, 4-40 UNC x 0.25	-	23	1	Lens PFS6B	PFS01007	7	3	CCD Insulating Standoff Tube	PFS15007
39	3	Shoulder Screw MCM94035A540	-	22	1	CCD Bellows Assembly	PFS00018	6	4	CCD Lateral Flexure	PFS15006
38	3	Compression Spring MCM9435K93	-	21	1	Dewar Axial Shim 0.329 thk	PFS15027	5	1	CCD Flexure Mount Base Plate	PFS15005
37	1	Carr Lane CL-6-SRB	-	20	1	Piston Flexure Access Cover	PFS15023	4	1	Flattener Retaining Ring	PFS15004
36	1	Carr Lane Rest Button CL-13-RB	-	19	1	CCD Preload Cap	PFS15022	3	1	Flattener Mounting Plate	PFS15003
35	1	Parker O-ring 2-262	-	18	1	CCD Psychedelic Flexure	PFS15021	2	1	CCD Head Side Plate	PFS15002
34	1	Parker O-ring 2-258	-	17	1	CCD 2-axis Piston Flexure	PFS15020	1	1	CCD Main Head	PFS15001
ITEM	QTY	DESCRIPTION	PART NUMBER	ITEM	QTY	DESCRIPTION	PART NUMBER	ITEM	QTY	DESCRIPTION	PART NUMBER
Bill of Material				Bill of Material				Bill of Material			

THE OBSERVATORIES OF THE CARNEGIE INSTITUTION OF WASHINGTON 813 Santa Barbara Street Pasadena, CA 91101											
MATERIAL			UNLESS OTHERWISE SPECIFIED FRACTIONAL      DECIMAL      ANGULAR +/- 1/32      .XX +/- 0.01      +/- 0.1 DEG								
EST WEIGHT			.XXX +/- 0.002 GOAL .XXX +/- 0.005 REQD BREAK SHARP EDGES      MACHINED SURFACES 125								
29.7 lb (with no IN2)			ALL DIMENSIONS IN INCHES								
SCALE			1:3			Planet Finder Spectrograph			CCD Camera Assembly		
DWN	CRANE	3/14/2007	SHEET			DRAWING NUMBER			SHT 1		
APVD			B			PFS00017			OF 2		
	BY	DATE									



DETAIL C  
SCALE 1 : 1

DETAIL D  
SCALE 1 : 1

SECTION B-B

SECTION A-A

THE OBSERVATORIES  
OF THE CARNEGIE INSTITUTION OF WASHINGTON  
813 Santa Barbara Street  
Pasadena, CA 91101

MATERIAL		UNLESS OTHERWISE SPECIFIED FRACTIONAL DECIMAL ANGULAR +/- 1/32 .XX +/- 0.01 +/- 0.1 DEG		
EST WEIGHT		.XXX +/- 0.002 GOAL .XXX +/- 0.005 REQD BREAK SHARP EDGES MACHINED SURFACES 125 ✓ ALL DIMENSIONS IN INCHES		
SCALE		1:3		
		P lanet F nder S pectrograph		CCD Camera Assembly
DWN	CRANE	3/14/2007		
APVD	BY	DATE	SHEET B	DRAWING NUMBER PFS00017
			SHT 2 OF 2	REV