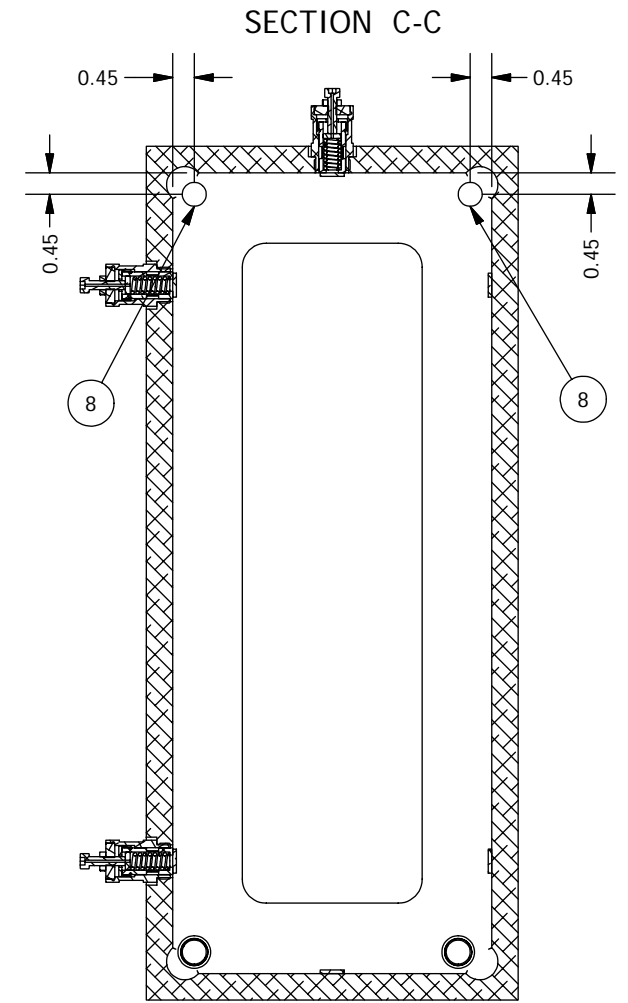
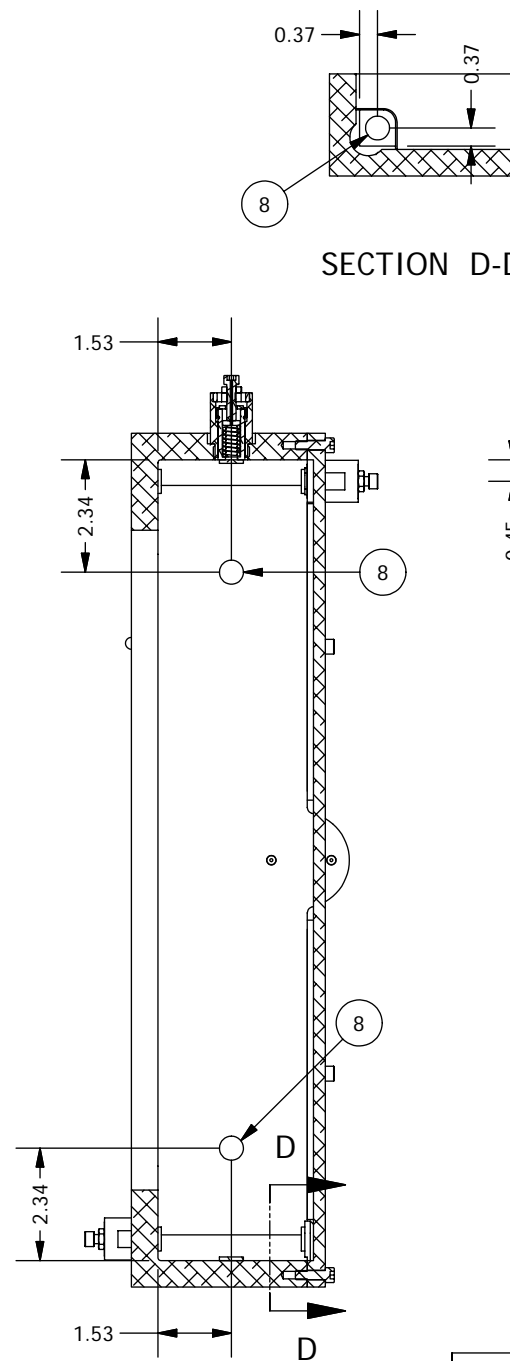
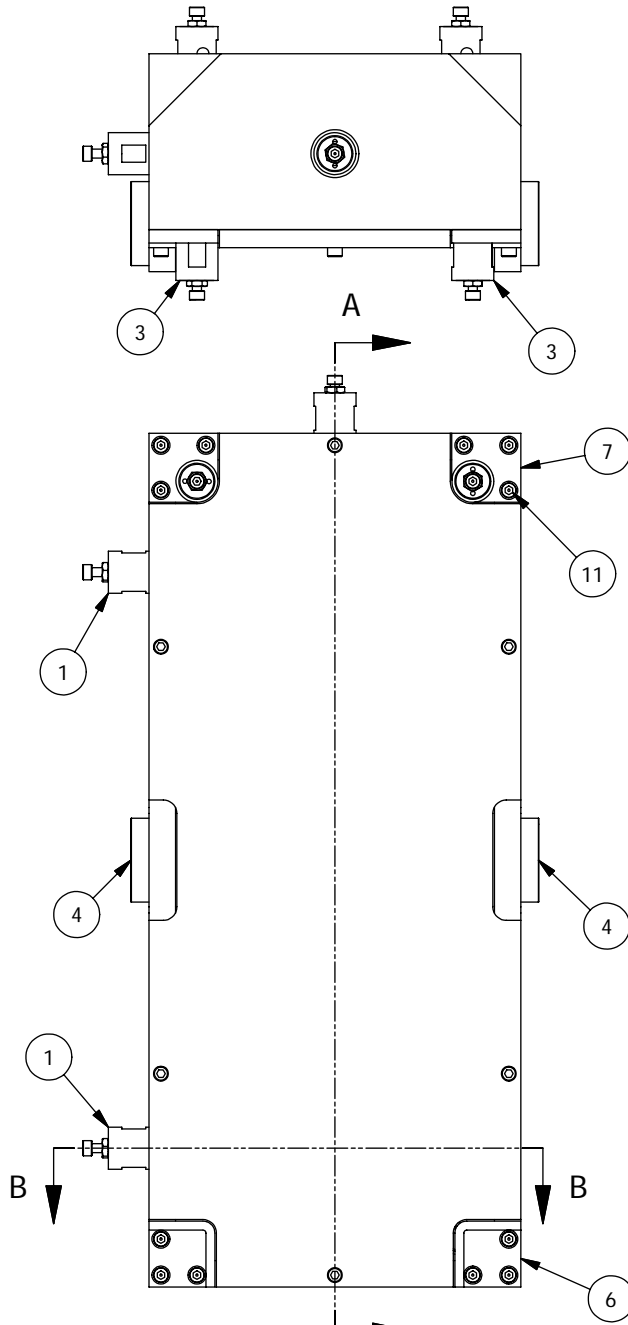
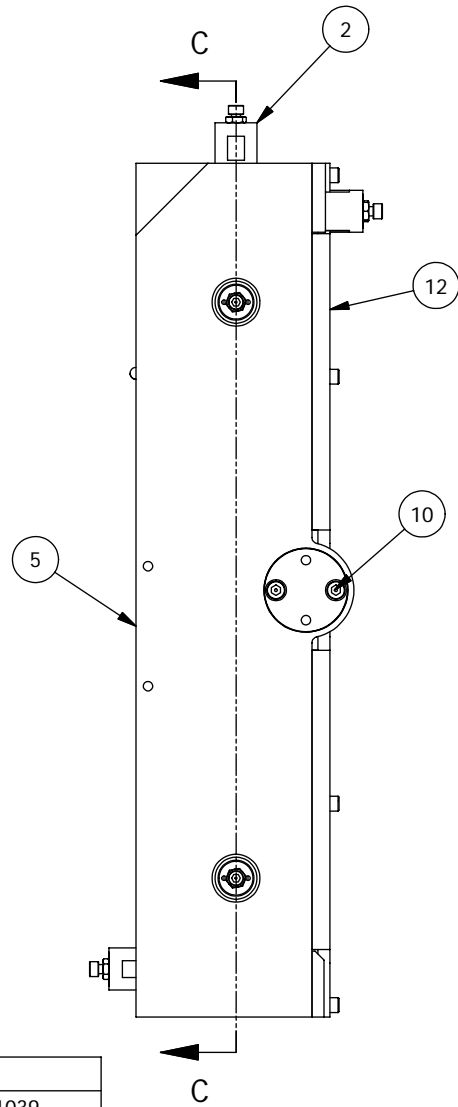
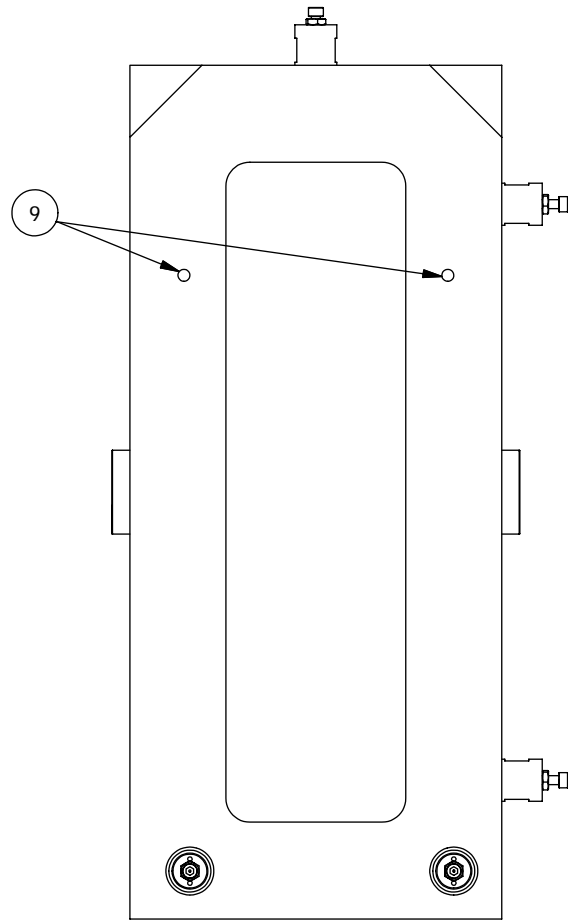


NOTES

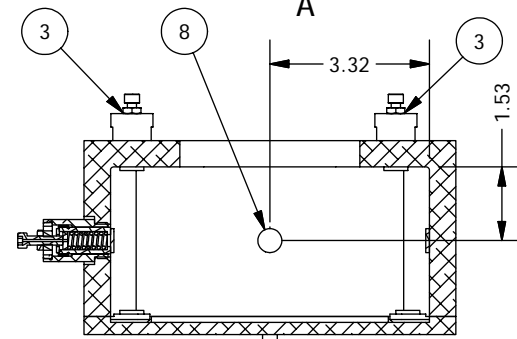
1. Compliant pads consist of $\varnothing 0.50$ stock x 0.069" thk teflon affixed to aluminum with silicone/acrylic double-coated tape (MCM77215A13). Total estimated thickness 0.074.
2. Design adapted from Steve Gunnels MIKE grating mounts.

B



A

13	6	SHCS 10-32 UNFx0.625	-
12	1	Grating Cover	PFS11039
11	12	SHCS 10-32x0.5 UNF vented	-
10	4	SHCS 1/4-20x0.5 UNC vented	-
9	2	SS Ball Bearing 0.25 diam	-
8	7	Compliant Pad 0.50 diam	-
7	2	Grating Retention Clip 2	PFS11025
6	2	Grating Retention Clip 1	PFS11024
5	1	Grating Cell	PFS11023
4	2	Grating Mount Altitudinal Bushing	PFS11012
3	4	Grating Axial Spring Plunger Assembly	PFS00009
2	1	Grating Longitudinal Spring Plunger Assembly	PFS00008
1	2	Grating Lateral Plunger Assembly	PFS00007
ITEM	QTY	DESCRIPTION	PART NUMBER
Bill of Material			



SECTION B-B

SECTION A-A

SECTION D-D

SECTION C-C

THE OBSERVATORIES
OF THE CARNEGIE INSTITUTION OF WASHINGTON
813 Santa Barbara Street
Pasadena, CA 91101

MATERIAL		UNLESS OTHERWISE SPECIFIED FRACTIONAL DECIMAL ANGULAR +/- 1/32 .XX +/- 0.01 +/- 0.1 DEG			
EST WEIGHT		.XXX +/- 0.002 GOAL .XXX +/- 0.005 REQD BREAK SHARP EDGES MACHINED SURFACES 125			
SCALE		1:4		Planet F nder S pectrograph	
DWN	CRANE	3/17/2009		Grating Mount Assembly	
APVD	BY	DATE	SHEET	DRAWING NUMBER	REV
			B	PFS00010	SHT 1 OF 1
					3

4

3

2

1