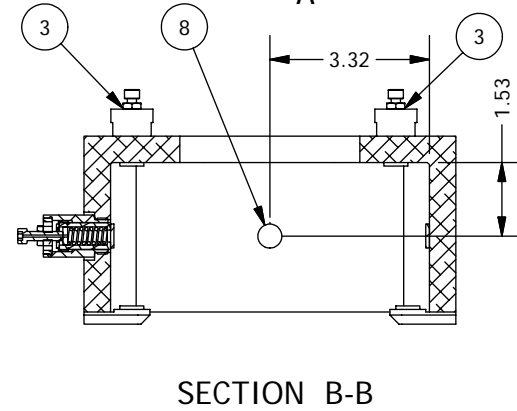
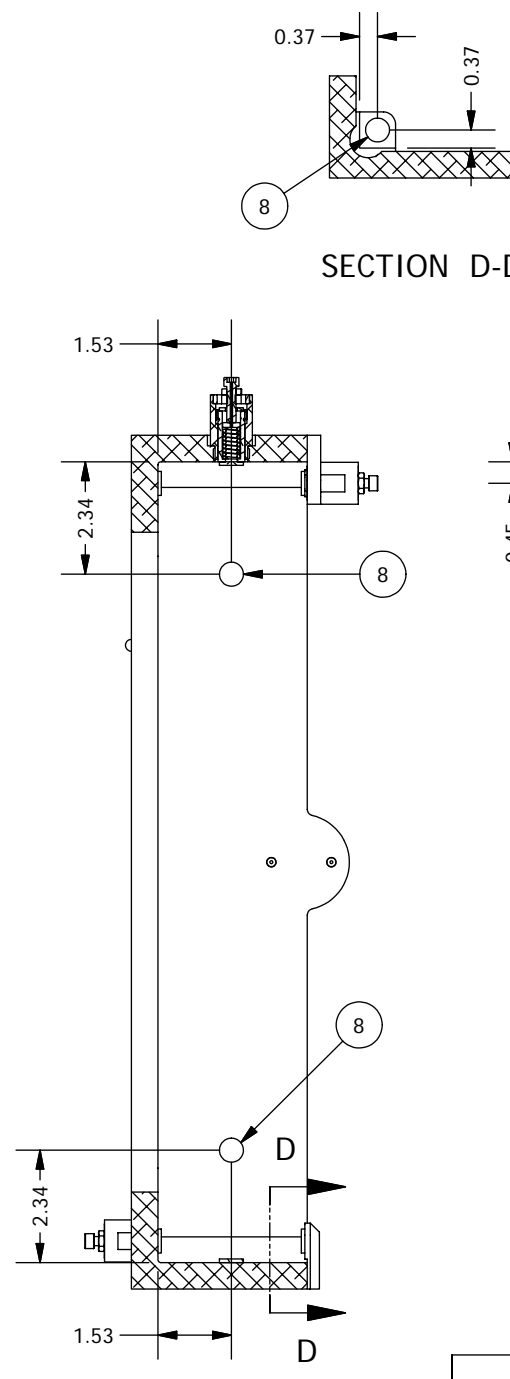
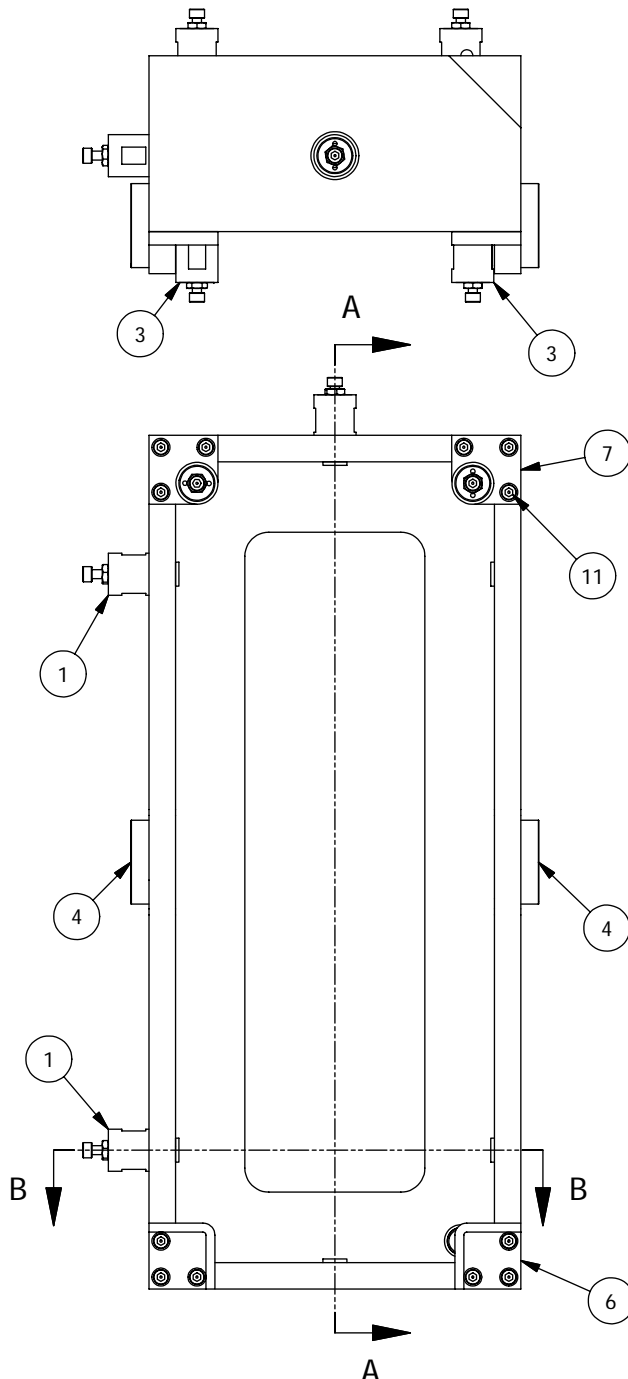
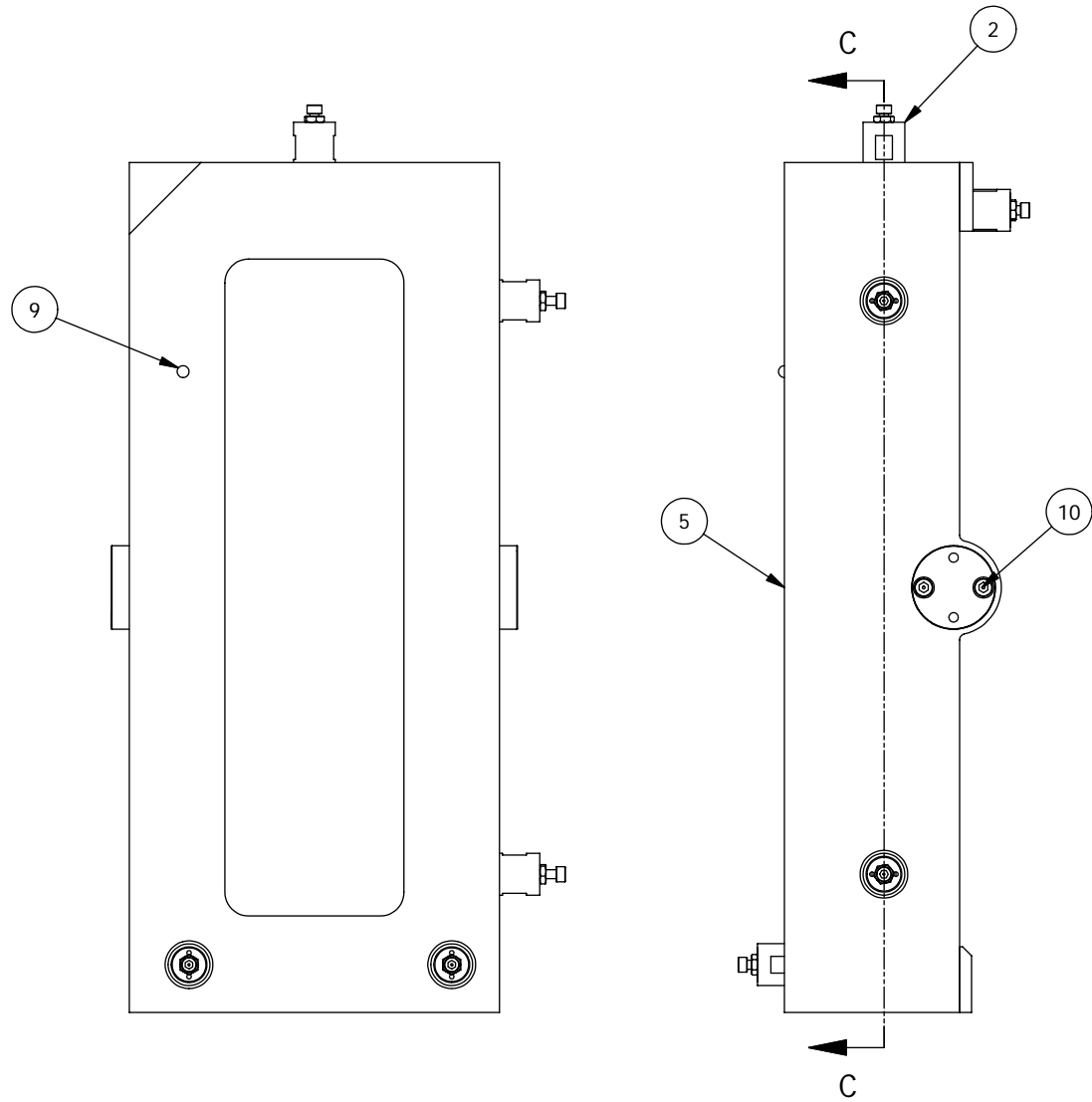


NOTES

1. Compliant pads consist of $\varnothing 0.50$ stock x 0.069" thk teflon affixed to aluminum with silicone/acrylic double-coated tape (MCM77215A13). Total estimated thickness 0.074.
2. Design adapted from Steve Gunnels MIKE grating mounts.

B



A

11	12	SHCS 10-32x0.5 UNF vented	-
10	4	SHCS 1/4-20x0.5 UNC vented	-
9	1	SS Ball Bearing 0.25 diam	-
8	7	Compliant Pad 0.50 diam	-
7	2	Grating Retention Clip 2	PFS11025
6	2	Grating Retention Clip 1	PFS11024
5	1	Grating Cell	PFS11023
4	2	Grating Mount Altitudinal Bushing	PFS11012
3	4	Grating Axial Spring Plunger Assembly	PFS00009
2	1	Grating Longitudinal Spring Plunger Assembly	PFS00008
1	2	Grating Lateral Plunger Assembly	PFS00007
ITEM	QTY	DESCRIPTION	PART NUMBER
Bill of Material			

THE OBSERVATORIES OF THE CARNEGIE INSTITUTION OF WASHINGTON 813 Santa Barbara Street Pasadena, CA 91101				
MATERIAL		UNLESS OTHERWISE SPECIFIED FRACTIONAL DECIMAL ANGULAR +/- 1/32 .XX +/- 0.01 +/- 0.1 DEG		
EST WEIGHT		.XXX +/- 0.002 GOAL .XXX +/- 0.005 REQD BREAK SHARP EDGES MACHINED SURFACES 125 \sqrt ALL DIMENSIONS IN INCHES		
SCALE		1:4		Planet F nder S pectrograph
DWN CRANE 8/23/2006				
APVD		BY DATE		Grating Mount Assembly
B		PFS00010		
SHEET		DRAWING NUMBER		SHT 1
B		PFS00010		OF 1
				REV 2

4

3

2

1