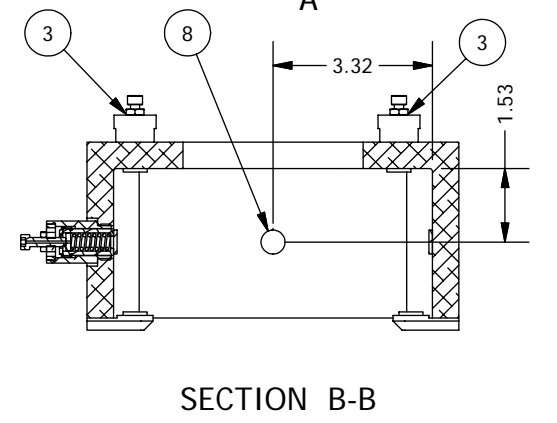
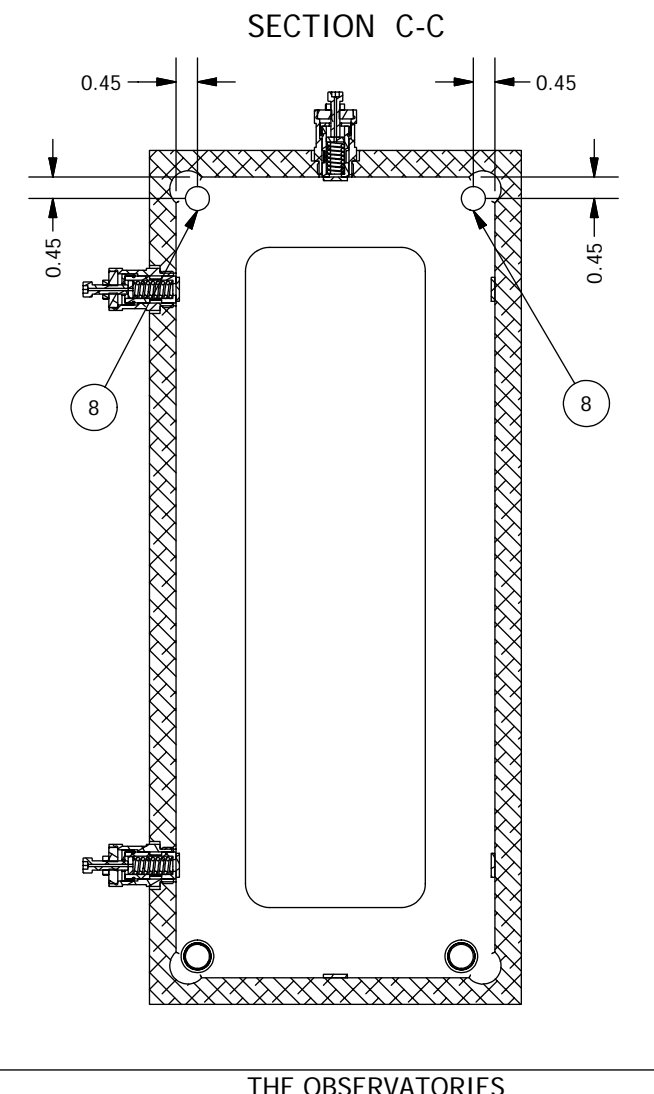
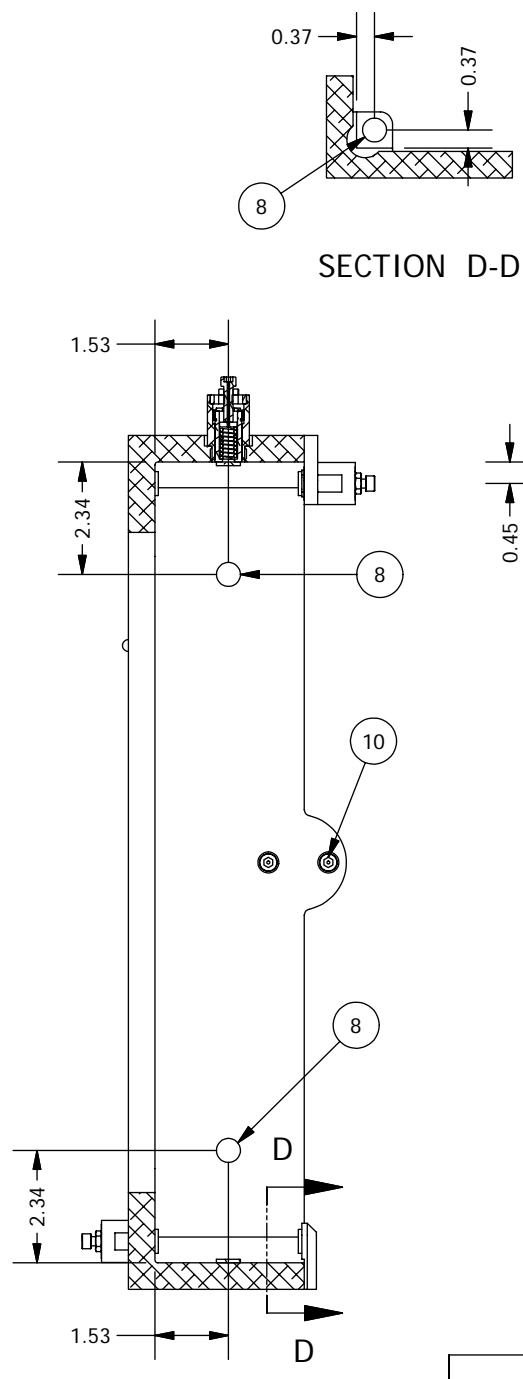
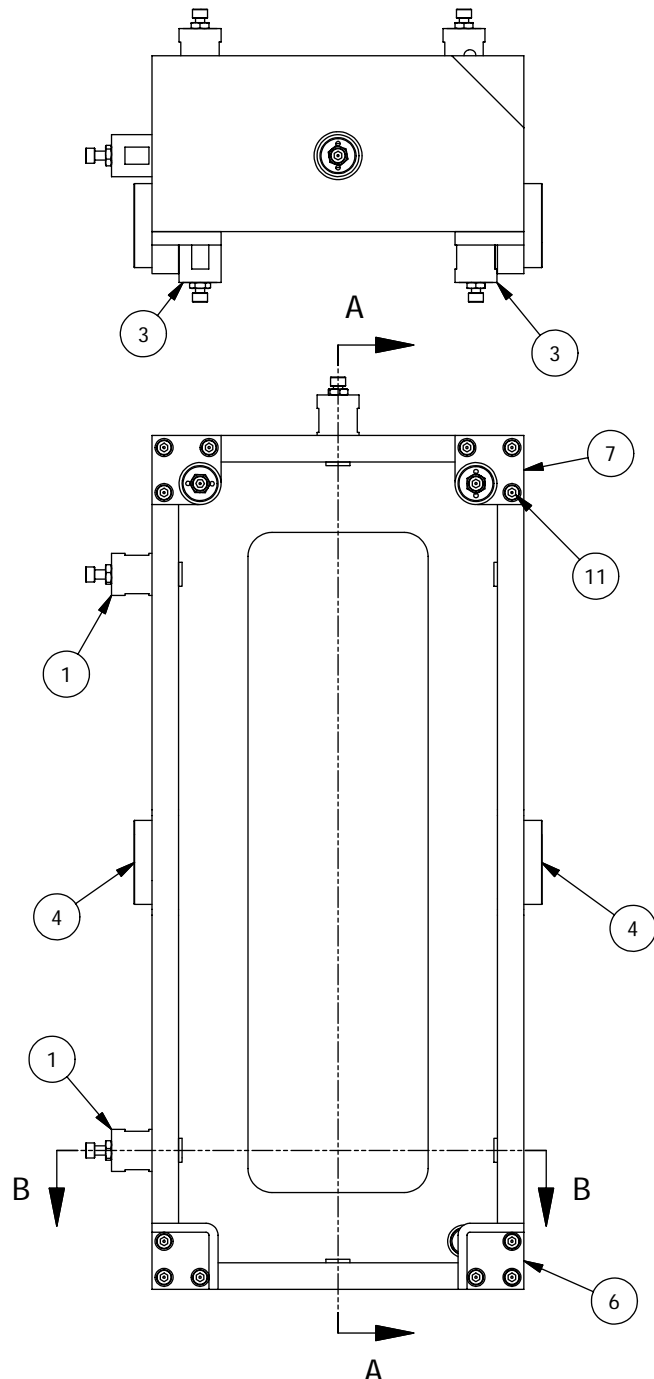
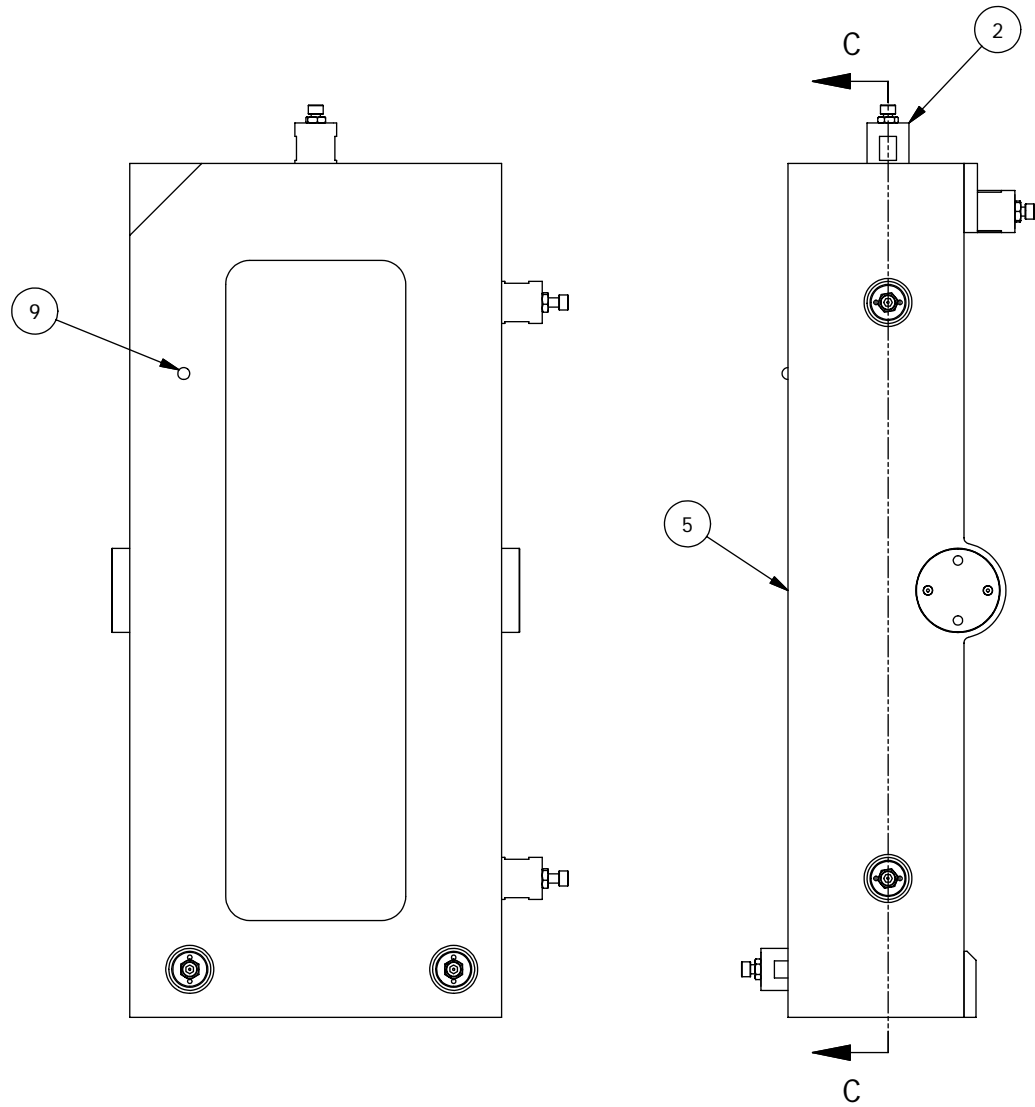


NOTES

1. Compliant pads consist of n0.50 x 1/16" thk silicone rubber (MCM8632K42) between UHMW polyethylene tape (MCM76445A12) and silicone/acrylic double-coated tape (MCM77215A13). Adhere double stick tape to aluminum parts. UHMW contacts glass. Total estimated thickness 0.074.

2. Design adapted from Steve Gunnels MIKE grating mounts.

B



A

ITEM	QTY	DESCRIPTION	PART NUMBER
11	12	SHCS 10-32x0.5 UNF vented	-
10	4	SHCS 1/4-20x0.5 UNC vented	-
9	1	SS Ball Bearing 0.25 diam	-
8	7	Compliant Pad 0.50 diam	-
7	2	Grating Retention Clip 2	PFS11025
6	2	Grating Retention Clip 1	PFS11024
5	1	Grating Cell	PFS11023
4	2	Grating Mount Altitudinal Bushing	PFS11012
3	4	Grating Axial Spring Plunger Assembly	PFS00009
2	1	Grating Longitudinal Spring Plunger Assembly	PFS00008
1	2	Grating Lateral Plunger Assembly	PFS00007
Bill of Material			

**THE OBSERVATORIES
OF THE CARNEGIE INSTITUTION OF WASHINGTON**
813 Santa Barbara Street
Pasadena, CA 91101

MATERIAL		UNLESS OTHERWISE SPECIFIED FRACTIONAL DECIMAL ANGULAR +/- 1/32 .XX +/- 0.01 +/- 0.1 DEG	
EST WEIGHT		.XXX +/- 0.002 GOAL .XXX +/- 0.005 REQD BREAK SHARP EDGES MACHINED SURFACES 125	
SCALE		1:4	
DWN		CRANE	4/20/2006
APVD		BY	DATE
SHEET		DRAWING NUMBER	SHT 1 OF 1
B		PFS00010	REV

**Planet
F nder
S pectrograph**

**Grating Mount
Assembly**

4

3

2

1