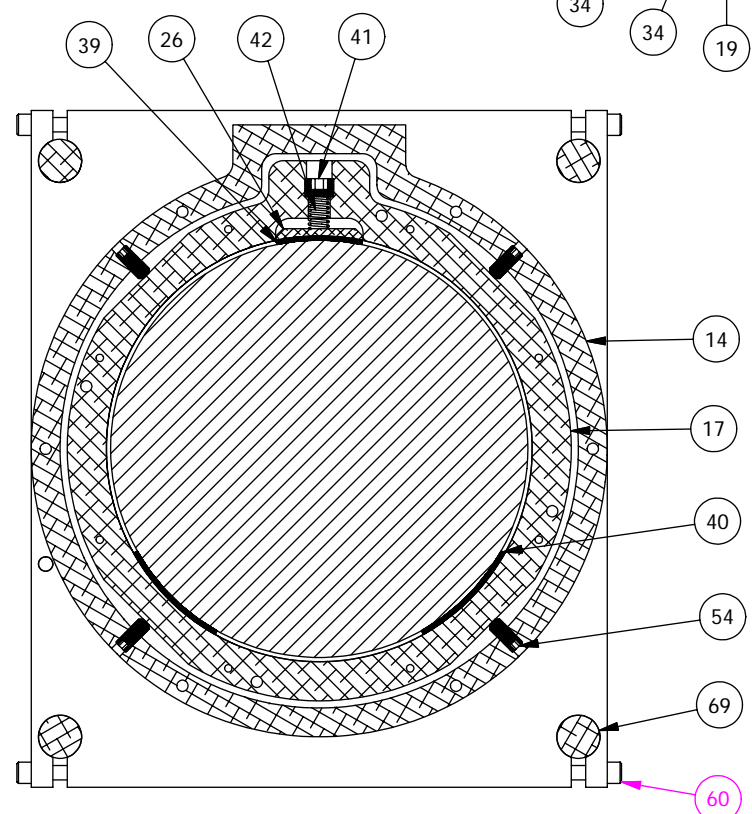
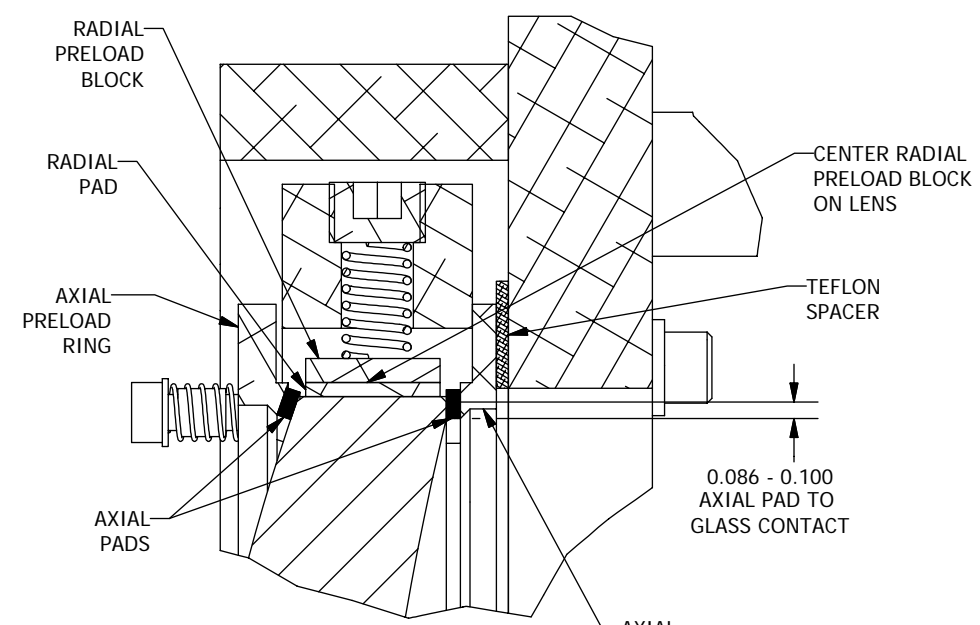


SECTION B-B  
SCALE 0.30 : 1



SECTION A-A  
SCALE 0.30 : 1



DETAIL C  
SCALE 1 : 1

<b>THE OBSERVATORIES OF THE CARNEGIE INSTITUTION OF WASHINGTON</b> 813 Santa Barbara Street Pasadena, CA 91101				
MATERIAL	UNLESS OTHERWISE SPECIFIED FRACTIONAL DECIMAL ANGULAR +/- 1/32 .XX +/- 0.01 +/- 0.1 DEG .XXX +/- 0.002 GOAL .XXX +/- 0.005 REOD BREAK SHARP EDGES MACHINED SURFACES 125 ✓ ALL DIMENSIONS IN INCHES			
EST WEIGHT	82.8 lb			
SCALE	3:10			
DWN	CRANE	6/13/2006		
APVD	BY	DATE	SHEET	REV
			B	4
			DRAWING NUMBER	SHT 2
			PFS00001	OF 2
				4

**P** lanet  
**F** nder  
**S** pectrograph  
Camera Assembly