

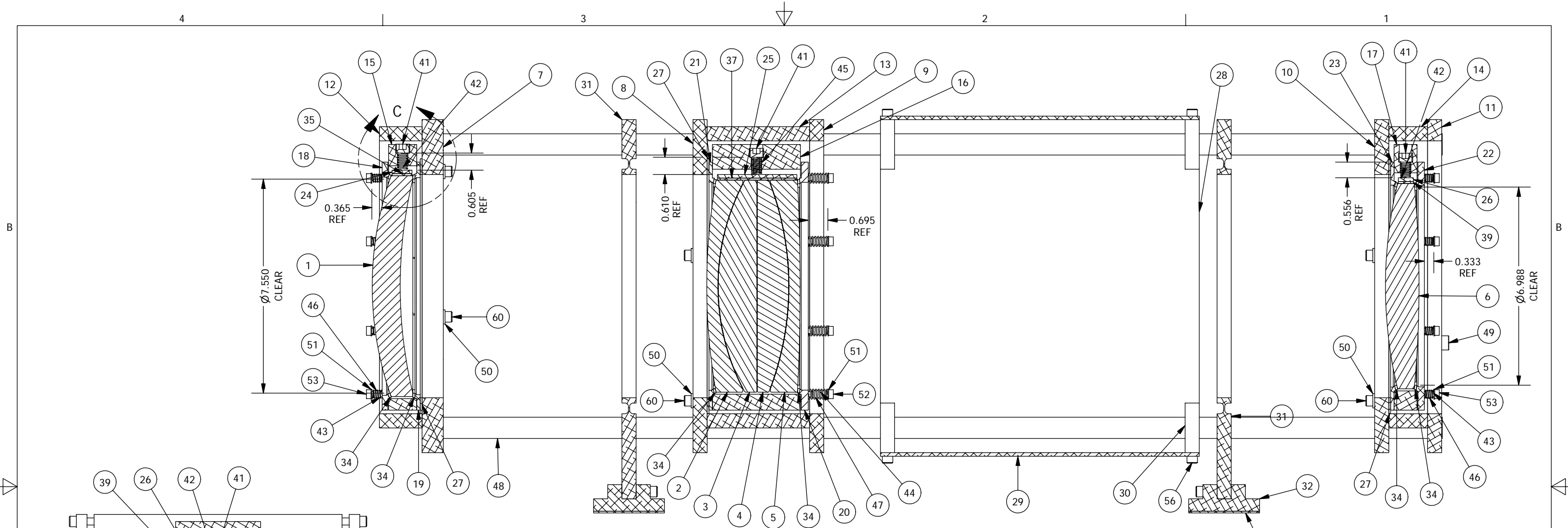
← TO PRISM AND GRATING

NOTES

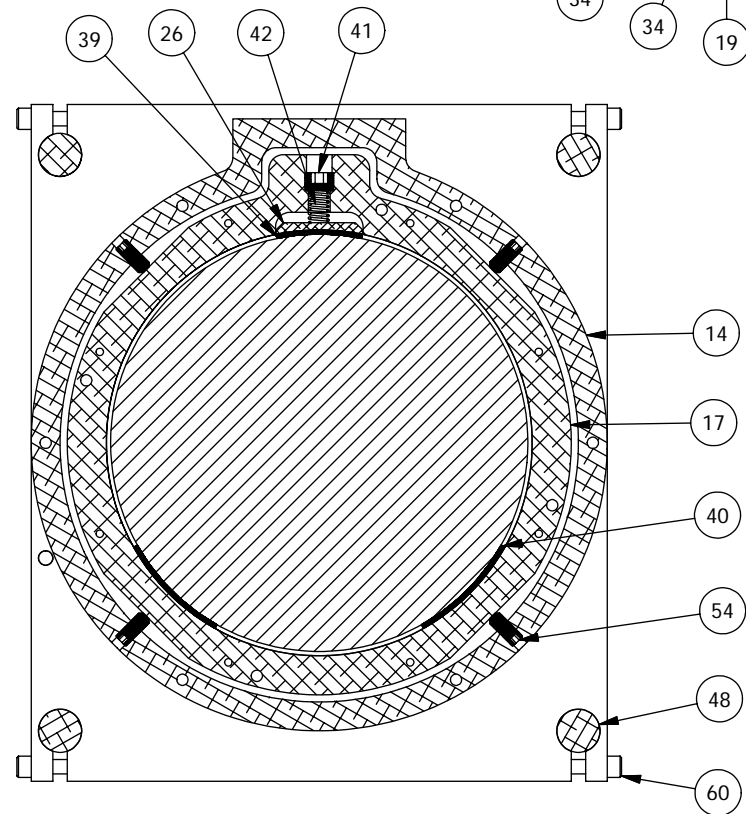
1. Radial and axial pads consist of 1/16" thk silicone rubber (MCM8632K42) between UHMW polyethylene tape (MCM76445A12) and silicone/acrylic double-coated tape (MCM77215A13). Adhere double stick tape to aluminum parts. UHMW contacts glass. Total estimated thickness 0.074.

61	2	Camera Shear Pad	PFS09028								
60	42	SHCS 1/4-20 UNCx1	-								
59	4	SHCS 1/4-20 UNCx0.875	-	39	1	Radial pad 0.53 x 1.50	-				
58	24	SHCS 1/4-20 UNCx0.75	-	38	2	Radial pad 2.80 x 2.00	-	19	1	PFS1 Axial Support Ring	PFS09013
57	8	SHCS 1/4-20 UNCx0.625	-	37	1	Radial pad 2.80 x 1.50	-	18	1	PFS1 Axial Preload Ring	PFS09012
56	24	SHCS 1/4-20 UNCx0.5	-	36	2	Radial pad 0.70 x 2.00	-	17	1	PFS5 Inner Lens Support Tube	PFS09011
55	24	FHMS 8-32 UNCx0.5	-	35	1	Radial pad 0.70 x 1.50	-	16	1	PFSG Inner Lens Support Tube	PFS09010
54	12	SetScrew 1_4-20 UNCx0.625	-	34	24	Axial pad 0.15 x 1.25	-	15	1	PFS1 Inner Lens Support Tube	PFS09009
53	16	Shoulder Screw MCM94035A206	-	33	3	Sylgard-184 RTV	-	14	1	PFS5 Outer Lens Support Tube	PFS09008
52	8	Shoulder Screw MCM94035A208	-	32	2	Camera Flexure Base	PFS09027	13	1	PFSG Outer Lens Support Tube	PFS09007
51	24	Flat washer MCM90945A740	-	31	2	Camera Flexure	PFS09025	12	1	PFS1 Outer Lens Support Tube	PFS09006
50	12	Washer, Plain ANSI B, Normal 0.25	-	30	8	Camera Stiffener Clamp	PFS09024	11	1	PFS5 Lens Mounting Plate 2	PFS09005
49	1	Carr Lane Rest Button CL-2-RB	-	29	2	Camera Stiffener Plate 2	PFS09023	10	1	PFS5 Lens Mounting Plate 1	PFS09004
48	4	Steel Shaft 0.75Dx36L MCM6061K64	-	28	2	Camera Stiffener Plate 1	PFS09022	9	1	PFSG Lens Mounting Plate 2	PFS09003
47	8	Bronze bushing MCM6391K124	-	27	3	Camera Teflon Spacer	PFS09021	8	1	PFSG Lens Mounting Plate 1	PFS09002
46	16	Bronze bushing MCM6391K122	-	26	1	PFS5 Radial Preload Block	PFS09020	7	1	PFS1 Lens Mounting Plate	PFS09001
45	1	Die Spring MCM9297K11	-	25	1	PFSG Radial Preload Block	PFS09019	6	1	PFS5 Lens	PFS01006
44	8	Compression Spring MCM9435K81	-	24	1	PFS1 Radial Preload Block	PFS09018	5	1	PFS4 Lens	PFS01005
43	16	Compression Spring MCM9435K5	-	23	1	PFS5 Axial Support Ring	PFS09017	4	1	PFS3B Lens	PFS01004
42	2	Compression Spring MCM9434K79	-	22	1	PFS5 Axial Preload Ring	PFS09016	3	1	PFS3A Lens	PFS01003
41	3	Die Spring Screw Cap MCM96235K5	-	21	1	PFSG Axial Support Ring	PFS09015	2	1	PFS2 Lens	PFS01002
40	2	Radial pad 0.53 x 2.00	-	20	1	PFSG Axial Preload Ring	PFS09014	1	1	PFS1 Lens	PFS01001
ITEM	QTY	DESCRIPTION	PART NUMBER	ITEM	QTY	DESCRIPTION	PART NUMBER	ITEM	QTY	DESCRIPTION	PART NUMBER
Parts List				Parts List				Parts List			

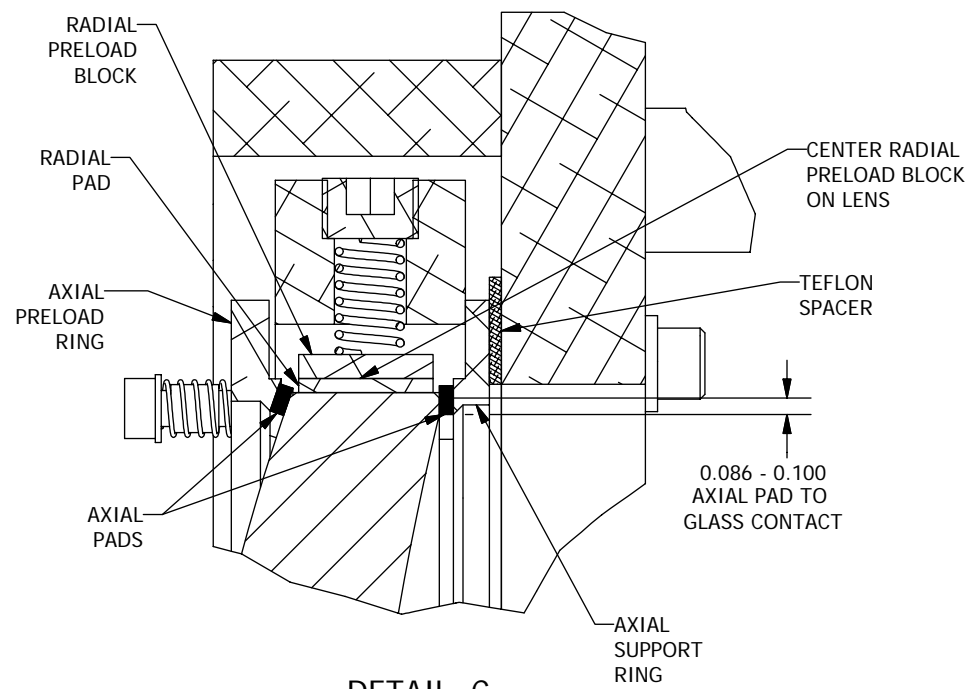
THE OBSERVATORIES OF THE CARNEGIE INSTITUTION OF WASHINGTON 813 Santa Barbara Street Pasadena, CA 91101											
MATERIAL			UNLESS OTHERWISE SPECIFIED FRACTIONAL .XX +/- 0.01 ANGLAR +/- 0.1 DEG +/- 1/32 .XXX +/- 0.002 GOAL EST WEIGHT 96.3 lb .XXX +/- 0.005 REQD BREAK SHARP EDGES MACHINED SURFACES 125 ALL DIMENSIONS IN INCHES								
SCALE			3:10			Planet inder Spectrograph			Camera Assembly		
DWN	CRANE	6/6/2006	SHEET		DRAWING NUMBER		SHT 1		REV		
APVD	BY	DATE	B		PFS00001		OF 2		3		



SECTION B-B
SCALE 0.30 : 1



SECTION A-A
SCALE 0.30 : 1



DETAIL C
SCALE 1 : 1

THE OBSERVATORIES OF THE CARNEGIE INSTITUTION OF WASHINGTON 813 Santa Barbara Street Pasadena, CA 91101					
MATERIAL	UNLESS OTHERWISE SPECIFIED FRACTIONAL DECIMAL ANGULAR +/- 1/32 .XX +/- 0.01 +/- 0.1 DEG				
EST WEIGHT	82.8 lb				
SCALE	3:10				
DWN	CRANE	6/6/2006	P lanet F nder S pectrograph		Camera Assembly
APVD	BY	DATE	SHEET B	DRAWING NUMBER PFS00001	SHT 2 OF 2
					REV 3