

NOTES

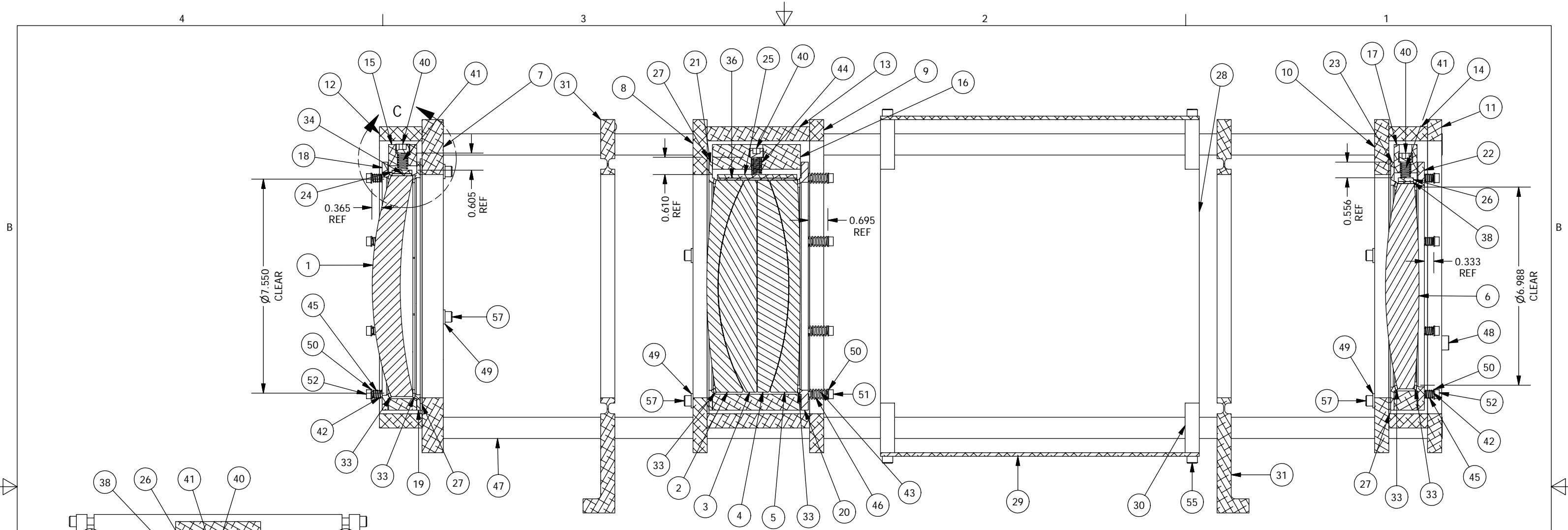
1. Radial and axial pads consist of 1/16" thk silicone rubber (MCM8632K42) between UHMW polyethylene tape (MCM76445A12) and silicone/acrylic double-coated tape (MCM77215A13). Adhere double stick tape to aluminum parts. UHMW contacts glass. Total estimated thickness 0.074.

57	42	SHCS 1/4-20 UNCx1	-								
56	24	SHCS 1/4-20 UNCx0.75	-	37	2	Radial pad 2.80 x 2.00	-				
55	24	SHCS 1/4-20 UNCx0.5	-	36	1	Radial pad 2.80 x 1.50	-	18	1	PFS1 Axial Preload Ring	PFS09012
54	24	FHMS 8-32 UNCx0.5	-	35	2	Radial pad 0.70 x 2.00	-	17	1	PFS5 Inner Lens Support Tube	PFS09011
53	12	SetScrew 1_4-20 UNCx0.625	-	34	1	Radial pad 0.70 x 1.50	-	16	1	PFSG Inner Lens Support Tube	PFS09010
52	16	Shoulder Screw MCM94035A206	-	33	24	Axial pad 0.15 x 1.25	-	15	1	PFS1 Inner Lens Support Tube	PFS09009
51	8	Shoulder Screw MCM94035A208	-	32	3	Sylgard-184 RTV	-	14	1	PFS5 Outer Lens Support Tube	PFS09008
50	24	Flat washer MCM90945A740	-	31	2	Mid-lens Flexure	PFS09025	13	1	PFSG Outer Lens Support Tube	PFS09007
49	12	Washer, Plain ANSI B, Normal 0.25	-	30	8	Mid-lens Stiffener Clamp	PFS09024	12	1	PFS1 Outer Lens Support Tube	PFS09006
48	1	Carr Lane Rest Button CL-2-RB	-	29	2	Mid-lens Stiffener Plate 2	PFS09023	11	1	PFS5 Lens Mounting Plate 2	PFS09005
47	4	Steel Shaft 0.75Dx36L MCM6061K64	-	28	2	Mid-lens Stiffener Plate 1	PFS09022	10	1	PFS5 Lens Mounting Plate 1	PFS09004
46	8	Bronze bushing MCM6391K124	-	27	3	Mid-lens Teflon Spacer	PFS09021	9	1	PFSG Lens Mounting Plate 2	PFS09003
45	16	Bronze bushing MCM6391K122	-	26	1	PFS5 Radial Preload Block	PFS09020	8	1	PFSG Lens Mounting Plate 1	PFS09002
44	1	Die Spring MCM9297K11	-	25	1	PFSG Radial Preload Block	PFS09019	7	1	PFS1 Lens Mounting Plate	PFS09001
43	8	Compression Spring MCM9435K81	-	24	1	PFS1 Radial Preload Block	PFS09018	6	1	PFS5 Lens	PFS01006
42	16	Compression Spring MCM9435K5	-	23	1	PFS5 Axial Support Ring	PFS09017	5	1	PFS4 Lens	PFS01005
41	2	Compression Spring MCM9434K79	-	22	1	PFS5 Axial Preload Ring	PFS09016	4	1	PFS3B Lens	PFS01004
40	3	Die Spring Screw Cap MCM96235K5	-	21	1	PFSG Axial Support Ring	PFS09015	3	1	PFS3A Lens	PFS01003
39	2	Radial pad 0.53 x 2.00	-	20	1	PFSG Axial Preload Ring	PFS09014	2	1	PFS2 Lens	PFS01002
38	1	Radial pad 0.53 x 1.50	-	19	1	PFS1 Axial Support Ring	PFS09013	1	1	PFS1 Lens	PFS01001
ITEM	QTY	DESCRIPTION	PART NUMBER	ITEM	QTY	DESCRIPTION	PART NUMBER	ITEM	QTY	DESCRIPTION	PART NUMBER
Bill of Material				Bill of Material				Bill of Material			

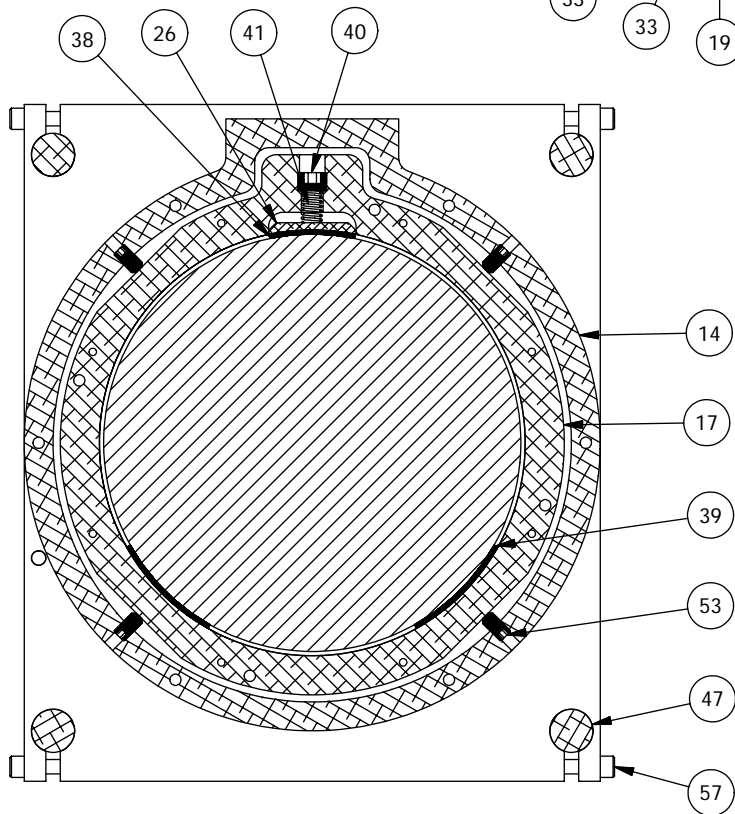
**THE OBSERVATORIES
OF THE CARNEGIE INSTITUTION OF WASHINGTON**
813 Santa Barbara Street
Pasadena, CA 91101

MATERIAL		UNLESS OTHERWISE SPECIFIED FRACTIONAL DECIMAL ANGULAR +/- 1/32 .XX +/- 0.01 +/- 0.1 DEG .XXX +/- 0.002 GOAL .XXX +/- 0.005 REQD BREAK SHARP EDGES MACHINED SURFACES 125	
EST WEIGHT		94.1 lb	
SCALE		3:10	
DWN		CRANE	
APVD		DATE	
SHEET		DRAWING NUMBER	
B		PFS00001	
SHT 1		REV	
OF 2		1	

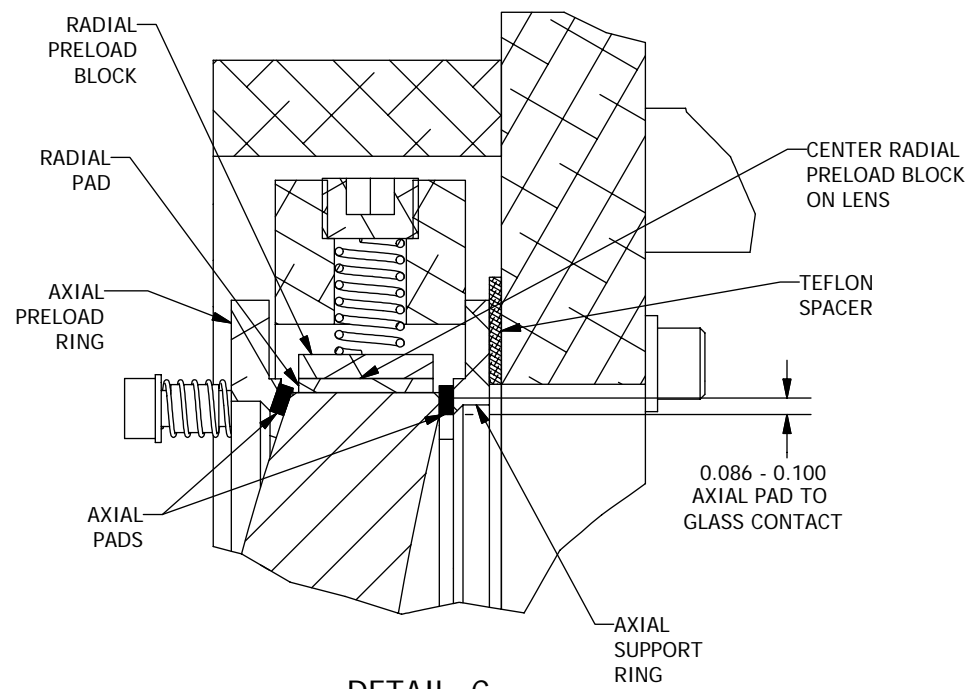
**P lanet
F nder
S pectrograph**
Mid-lens Assembly



SECTION B-B
SCALE 0.30 : 1



SECTION A-A
SCALE 0.30 : 1



DETAIL C
SCALE 1 : 1

THE OBSERVATORIES OF THE CARNEGIE INSTITUTION OF WASHINGTON 813 Santa Barbara Street Pasadena, CA 91101				
MATERIAL	UNLESS OTHERWISE SPECIFIED FRACTIONAL DECIMAL ANGULAR +/- 1/32 .XX +/- 0.01 +/- 0.1 DEG			
EST WEIGHT	82.8 lb			
SCALE	3:10			
DWN	CRANE	4/25/2006		
APVD	BY	DATE	SHEET B	DRAWING NUMBER PFS00001
			SHT 2 OF 2	REV 1

P lanet
F nder
S pectrograph
Mid-lens Assembly